



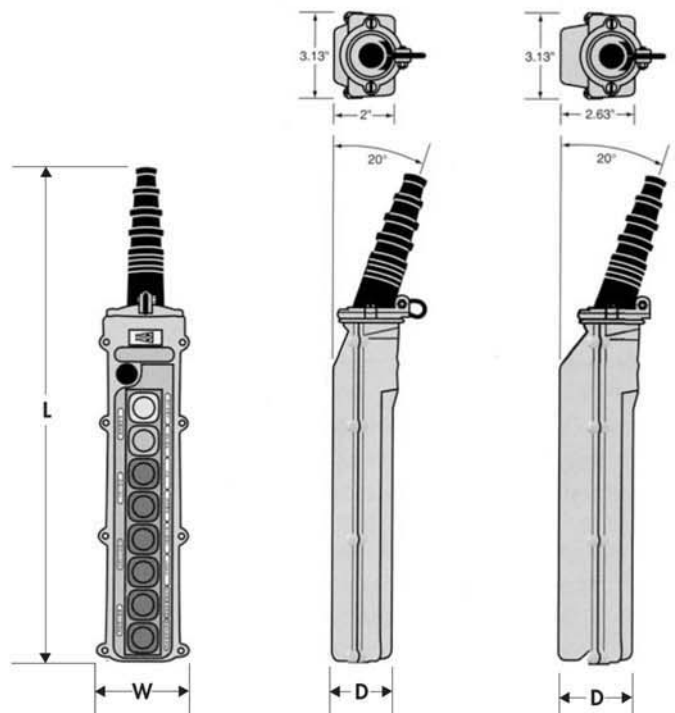
L Series Pendant Push Button Stations

Single-Speed, Two-Speed, Three-Speed and Accessories



- Multi-Step Cord Grip for 4 to 24 Conductor Cable
- NEMA 1, 3, 4, 4X and 12
- UL Listed and CSA Approved
- Slim Back Profile (S) for Ergonomic Look & Feel
- Deep Back (D) Profile for Extra Wiring Space
- Strain Relief Hook and Cable Clamp Set
- Large Variety of Accessory Switches Available
- Replaceable Neoprene Boots
- Easy to Read Legend Plates
- Polypropylene Construction

Catalog Number	Enclosure Type	W Width	D Depth	L Length	Wt. #	Cable Range
L2-S	2 Button Shallow	3.13"	2.00"	6.88"	.56	.640" - .890"
L4-S	4 Button Shallow	3.13"	2.00"	8.25"	.64	.640" - .890"
L6-S	6 Button Shallow	3.13"	2.00"	10.50"	.74	.640" - .890"
L8-S	8 Button Shallow	3.13"	2.00"	12.88"	.88	.640" - .890"
L10-S	10 Button Shallow	3.13"	2.00"	15.25"	.96	.640" - .890"
L4-D	4 Button Deep	3.13"	2.63"	8.25"	.70	.640" - .890"
L6-D	6 Button Deep	3.13"	2.63"	10.50"	.80	.640" - .890"
L8-D	8 Button Deep	3.13"	2.63"	12.88"	.92	.640" - .890"
L10-D	10 Button Deep	3.13"	2.63"	15.25"	1.04	.640" - .890"



Pictures are for illustration purposes and may not represent actual product.