

Industrial Products

pewag

**WORLD'S
STRONGEST
CHAIN**
www.pewag.com



 Distributed By

M^cLaughlin Hoist & Crane

1850 Larkin Williams Rd.
Fenton, MO 63026
(636)343-9700
www.stlcrane.com

Grade 80

Chain and Accessories

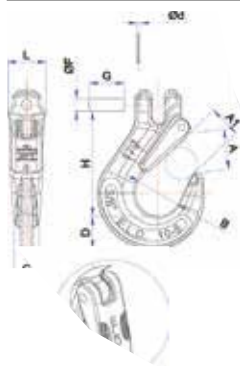


NI | Alloy Chain Made By PEWAG



Code	Material thickness dn [Inch]	Standard delivery length [feet]	Pitch t [Inch]	Inside b1 min. [Inch]	Outside b2 max. [Inch]	WLL [lb]	Breaking force [lb]	Weight [lb/ft]
NI5.5	0.22	400	0.680	0.319	0.787	2,100	8,400	0.470
NI7	0.28	800	0.826	0.375	0.992	3,500	14,000	0.738
NI8	0.32	500	0.945	0.430	1.134	4,500	18,000	0.939
NI10	0.39	400	1.181	0.531	1.417	7,100	28,400	1.475
NI13	0.51	200	1.535	0.689	1.843	12,000	48,000	2.548
NI16	0.63	150	1.890	0.846	2.268	18,100	72,400	3.830
NI20	0.79	100	2.440	1.008	2.776	28,300	113,200	5.780
NI22	0.87	100	2.598	1.161	3.118	34,200	136,800	7.324
NI26	1.02	100	3.071	1.378	3.704	47,700	190,800	10.214
NI32	1.26	50	3.780	1.657	4.646	72,300	289,200	15.455

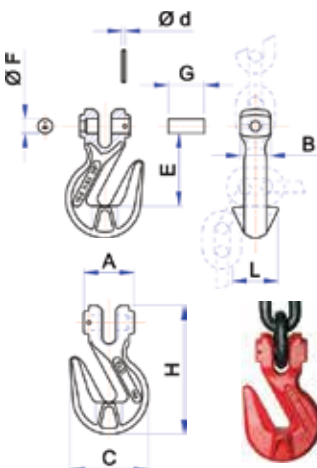
AR | Clevis Sling Hook



Code	WLL [lb]	Chain size	Dimension										Weight [lb/pc.]
			A [Inch]	A1 i [Inch]	B [Inch]	C [Inch]	D [Inch]	ØF [Inch]	G [Inch]	Ød [Inch]	H [Inch]	L [Inch]	
179107AR	3,500	9/32" - 5/16"	1.14	0.94	1.42	0.79	1.22	0.39	1.1	0.12	3.35	1.18	1.38
179110AR	7,100	3/8"	1.5	1.26	1.77	0.94	1.38	12.5	1.38	0.12	4.13	1.54	2.64
179113AR	12,100	1/2"	1.81	1.57	2.28	0.98	1.65	0.63	1.5	0.16	5.2	1.69	4.73
179116AR	18,100	5/8"	2.09	1.69	2.52	1.26	1.89	0.79	1.97	0.2	5.83	2.05	7.87

Design factor 4:1

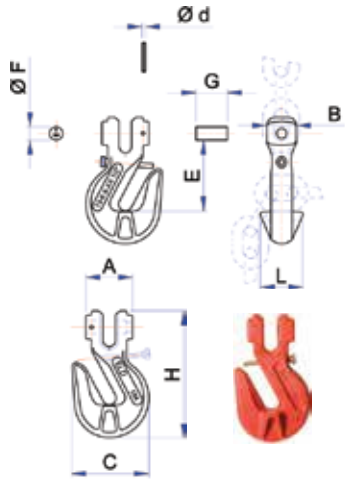
AR | Clevis Grab Hook



Code	Alloy Steel WLL [lb]	Chain size	Size									Weight [lb/pc.]
			A [Inch]	B [Inch]	C [Inch]	Ød [Inch]	E [Inch]	ØF [Inch]	G [Inch]	H [Inch]	L [Inch]	
184007AR	3,500	9/32"	1.42	0.87	2.13	0.12	2.13	0.39	1.10	3.78	1.18	0.88
184010AR	7,100	3/8"	1.81	1.10	2.95	0.12	2.76	0.49	1.38	4.88	1.69	1.85
184013AR	12,100	1/2"	2.24	1.42	3.66	0.16	3.39	0.63	1.50	6.06	2.05	3.56
184016AR	18,100	5/8"	2.76	1.65	4.25	0.20	3.98	0.79	1.97	7.05	2.52	5.17

Design factor 4:1

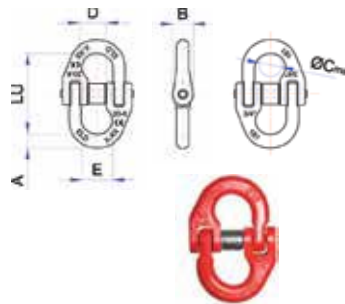
AR | Clevis Grab Hook with Safety Pin



Alloy steel		Chain size	Size									Weight [lb/pc.]
Code	WLL [lb]		A [Inch]	B [Inch]	C [Inch]	Ød [Inch]	E [Inch]	ØF [Inch]	G [Inch]	H [Inch]	L [Inch]	
184L07AR	3,500	9/32"	1.42	0.87	2.13	0.12	2.13	0.39	1.10	3.78	1.18	0.88
184L10AR	7,100	3/8"	1.81	1.10	2.95	0.12	2.76	0.49	1.38	4.88	1.69	1.85
184L13AR	12,000	1/2"	2.24	1.42	3.66	0.16	3.39	0.63	1.50	6.06	2.05	3.56
184L16AR	18,100	5/8"	2.76	1.65	4.25	0.20	3.98	0.79	1.97	7.05	2.52	5.17

Design factor 4:1

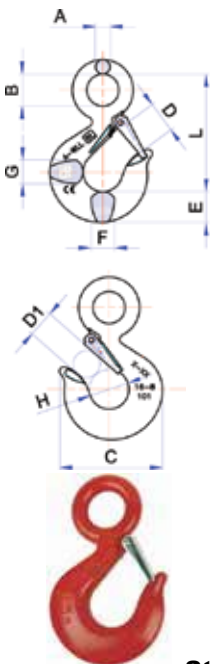
R | Connecting Links



Alloy steel		Chain size	Size						Weight [lb/pc.]
Code	WLL [lb]		A [Inch]	B [Inch]	ØC [Inch]	D [Inch]	E [Inch]	LU [Inch]	
1810078R	3,500	9/32"-5/16"	0.37	0.53	0.71	0.79	0.91	2.17	0.36
1810108R	7,100	3/8"	0.47	0.67	0.87	0.98	1.10	2.64	0.68
1810138R	12,000	1/2"	0.67	0.87	1.02	1.18	1.34	3.31	1.46
1810168R	18,100	5/8"	0.87	1.10	1.26	1.42	1.61	4.09	2.49

Design factor 4:1

DS/ES | Eye Sling Hook



Carbon steel Grade 40		Alloy steel Grade 80		Size									Weight [lb/pc.]	
Code	WLL [metric t]	CODE	WLL [metric t]	A [Inch]	B [Inch]	C [Inch]	D [Inch]	D1 [Inch]	E [Inch]	F [Inch]	G [Inch]	H [Inch]		L [Inch]
101007DS	0.8	101010ES	1.25	0.37	0.75	3.03	0.91	0.79	0.83	0.59	0.59	1.22	3.23	0.73
101010DS	1	101015ES	1.6	0.43	0.98	3.23	1.02	0.87	0.91	0.71	0.71	1.34	3.66	1.01
101015DS	1.6	101020ES	2.5	0.51	1.06	3.70	1.06	0.91	1.06	0.91	0.91	1.50	4.13	1.65
101020DS	2	101030ES	3.2	0.59	1.26	4.17	1.22	1.06	1.22	0.91	0.94	1.65	4.76	2.31
101030DS	3.2	101045ES	5.4	0.71	1.50	5.20	1.57	1.38	1.46	1.14	1.18	1.97	5.75	4.09
101050DS	5	101070ES	8	0.91	2.01	6.50	2.01	1.69	1.93	1.46	1.46	2.44	7.36	8.69
101075DS	7.5	101110ES	11.5	1.14	2.52	7.80	2.28	2.09	2.36	1.69	1.81	2.95	9.06	15.84
101100DS	10	101150ES	16	1.3	2.76	8.74	2.60	2.28	2.64	2.05	2.24	3.31	10.04	22.44
101150DS	15	101200ES	22	1.54	3.54	11.14	3.43	3.07	3.15	2.52	2.56	4.33	12.60	44.66

Grade 40: design factor 5:1 - Grade 80 design factor 4:1



DS/ES | Swivel Hook · Carbon and Alloy

Code	Carbon steel Grade 40		Alloy steel Grade 80		Size												Weight [lb/pc.]
	WLL [lb]	Code	WLL [lb]	Code	A c [inch]	B [inch]	C [inch]	D [inch]	D1 [inch]	E [inch]	F [inch]	H [inch]	L [inch]	M [inch]	N [inch]	P [inch]	
147007DS	0.8	147010ES	1.25	0.31	1.06	3.03	0.94	0.79	0.83	0.59	1.22	4.57	1.22	2.01	1.18	0.39	1.03
147010DS	1	147015ES	1.6	0.39	1.30	3.23	1.02	0.87	0.91	0.71	1.34	5.51	1.50	2.48	1.54	0.49	2.20
147015DS	1.6	147020ES	2.5	0.49	1.65	3.70	1.06	0.91	1.06	0.91	1.50	6.42	1.85	3.11	1.89	0.63	3.08
147020DS	2	147030ES	3.2	0.49	1.57	4.17	1.26	1.06	1.22	0.91	1.65	6.77	1.85	3.11	1.89	0.63	3.65
147030DS	3.2	147045ES	5.4	0.59	1.97	5.20	1.57	1.38	1.46	1.14	1.97	8.39	2.28	3.78	2.36	0.75	8.03
147050DS	5	147070ES	8	0.69	2.56	6.50	2.01	1.69	1.93	1.46	2.44	10.47	2.83	4.72	2.76	0.94	12.91
147075DS	7.5	147110ES	11.5	0.87	2.68	7.80	2.28	2.09	2.36	1.69	2.95	12.20	3.23	5.35	3.23	1.06	21.45
147100DS	10	147150ES	16	0.31	1.06	3.03	0.94	0.79	0.83	0.59	1.22	4.57	1.22	2.01	1.18	0.39	33.66
-	-	147200ES	22	0.39	1.30	3.23	1.02	0.87	0.91	0.71	1.34	5.51	1.50	2.48	1.54	0.49	58.30

Grade 40: Design factor 5:1 – Grade 80: Design factor 4:1



AS | Swivel Locking Hook



Code	Alloy steel		Chain size	Size												Weight [lb/pc.]
	WLL [lb]	Code		A [inch]	B [inch]	D [inch]	E [inch]	F [inch]	H [inch]	L [inch]	M [inch]	N [inch]	P [inch]	R [inch]		
102007AS	2	9/32"	0.39	1.22	1.30	1.02	0.79	1.77	7.40	1.50	2.48	1.54	0.49	2.90		
102010AS	3.2	3/8"	0.49	1.57	1.73	1.38	1.06	2.28	8.98	1.85	3.11	1.89	0.63	5.06		
102013AS	5.4	1/2"	0.59	1.97	2.13	1.61	1.18	2.80	11.22	2.28	3.78	2.36	0.75	9.68		
102016AS	8	5/8"	0.68	2.56	2.60	2.09	1.38	3.31	13.27	2.83	4.72	2.36	0.94	17.60		

Design factor 4:1

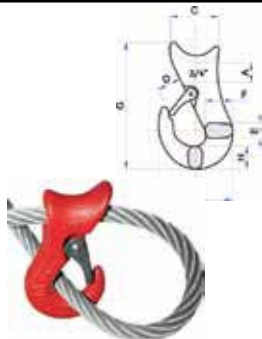


AN | Sliding Choker Hook

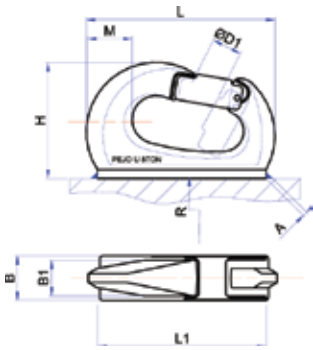


Code	Alloy steel		Wire rope size	Size								Weight [lb/pc.]
	WLL [metric t]	Code		A [inch]	B [inch]	C [inch]	D [inch]	E [inch]	F [inch]	G [inch]	H [inch]	
112015AN	1.5	3/8"-1/2"	0.63	2.64	2.01	0.94	0.79	0.94	5.12	0.94	1.32	
112020AN	2	5/8"	0.79	3.07	2.44	1.06	0.94	1.14	5.79	0.98	2.09	
112030AN	3	3/4"	0.98	4.06	2.76	1.34	1.18	1.42	7.01	1.30	4.40	
112050AN	5	7/8"-1"	1.26	5.04	3.15	1.69	1.61	1.77	8.27	1.57	7.57	

Design factor 5:1



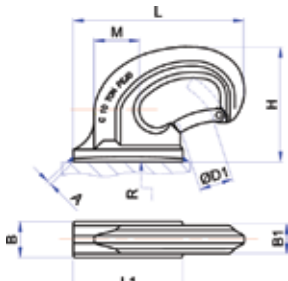
BH | Bucket Hook



Code	WLL [ton]	B! [inch]	M [inch]	L [inch]	L1 [inch]	H [inch]	B inch [inch]	Ø D1 [inch]	A [inch]	Weight [lb/pc.]
BH-1	1	0.83	0.87	4.13	3.90	2.95	0.98	0.91	0.16	1.30
BH-4	4	1.14	1.38	5.71	5.24	3.98	1.38	1.22	0.24	4.22
BH-5	5	1.18	1.26	5.98	5.59	4.21	1.38	1.22	0.24	4.60
BH-8	8	1.40	1.77	8.07	7.28	5.00	1.57	1.57	0.31	8.29
BH-10	10	1.57	1.83	8.50	8.07	5.47	1.97	1.57	0.31	11.73

Design Factor 4:1

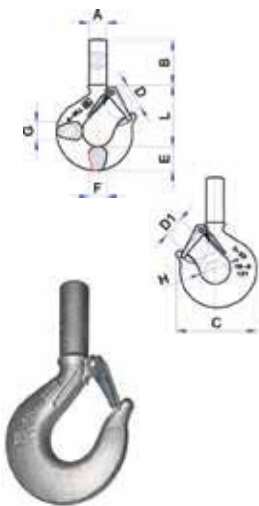
BHC | Bucket Hook



Code	WLL [ton]	B1 [inch]	M [inch]	L [inch]	L1 [inch]	H [inch]	B [inch]	D1 [inch]	A [inch]	Weight [lb/pc.]
BH-C10	10	1.73	2.67	10.31	6.30	6.69	2.56	1.97	0.31	16.32
BH-C18	18	2.12	2.95	11.42	7.09	7.48	3.15	1.97	0.39	24.02

Design factor 4:1

DS/ES | Shank Hook



Code	Carbon steel Grade 40		Alloy steel Grade 80		Size									Weight [lb/pc.]	
	WLL [t]	Code	WLL [t]	Code	A [inch]	B [inch]	C [inch]	D [inch]	D1 [inch]	E [inch]	F [inch]	G [inch]	H [inch]		L [inch]
121007DS	0.8	-	-	-	0.59	1.93	3.03	0.94	0.79	0.83	0.59	0.59	1.22	2.32	0.77
121020DS	2	121030ES	3.5	121030ES	0.91	2.72	4.17	1.26	1.06	1.22	0.91	0.94	1.65	3.23	2.42
121030DS	3.2	121045ES	5.4	121045ES	1.14	3.19	5.20	1.57	1.38	1.46	1.14	1.18	1.97	3.98	4.47
121050DS	5.4	121070ES	8	121070ES	1.42	3.62	6.50	2.01	1.69	1.93	1.46	1.46	2.44	4.96	8.58
121075DS	7.5	121110ES	11.5	121110ES	1.69	3.98	7.80	2.28	2.09	2.36	1.69	1.81	2.95	6.18	15.40
121100DS	10	121150ES	16	121150ES	1.89	4.41	8.74	2.60	2.28	2.64	2.05	2.24	3.31	6.57	21.23
-	-	121200ES	22	121200ES	2.32	5.31	11.14	3.43	3.07	3.15	2.52	2.56	4.33	8.27	40.70
-	-	121300ES	30	121300ES	3.35	9.61	13.35	3.82	3.43	3.70	3.15	3.15	4.72	9.84	82.50

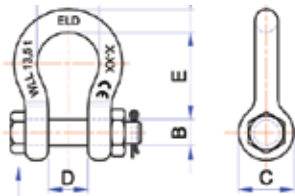
Grade 40: Design factor 5:1 – Grade 80: Design factor 4:1



SP/SB | Shackles



Screwed pin - 122 series

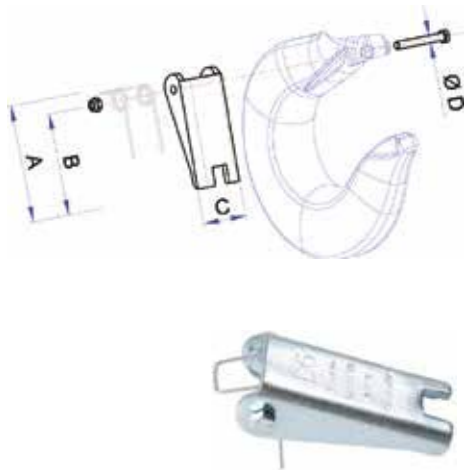


Bolt type pin with hexagon nut and split cotter pin - 123 series

Code	WLL [ton]	Size [inch]	Size (Tolerances: up 11 to 21 ± 1; up 3,25t to 25t ± 2,5; more ± 3)						Weight [lb./pc.]		
			A [inch]	B [inch]	C [inch]	D [inch]	E [inch]	F	Screw pin	Bolt Type	
122010SP	123010SB	1	3/8"	0.39	0.43	0.91	0.67	1.44	1.02	0.29	0.33
122015SP	123015SB	1.5	7/16"	0.43	0.47	1.02	0.73	1.69	1.14	0.46	0.51
122020SP	123020SB	2	1/2"	0.53	0.63	1.34	0.87	2.01	1.26	0.75	0.77
122032SP	123032SB	3.25	5/8"	0.63	0.75	1.57	1.06	2.52	1.69	1.39	1.61
122047SP	123047SB	4.75	3/4"	0.75	0.87	1.85	1.22	2.99	2.01	2.20	2.42
122065SP	123065SB	6.50	7/8"	0.87	0.98	2.09	1.42	3.27	2.28	3.47	3.74
122085SP	123085SB	8.50	1"	0.98	1.10	2.36	1.69	3.74	2.68	4.88	5.32
122095SP	123095SB	9.50	1 1/8"	1.10	1.26	2.64	1.85	4.25	2.95	7.26	8.05
122120SP	123120SB	12	1 1/4"	1.26	1.38	2.91	2.01	4.53	3.27	9.55	11.04
122135SP	123135SB	13.50	1 3/8"	1.38	1.50	3.15	2.24	5.24	3.62	13.46	14.52
122170SP	123170SB	17	1 1/2"	1.50	1.65	3.50	2.36	5.75	3.90	16.94	19.36
122250SP	123250SB	25	1 3/4"	1.77	1.97	4.09	2.91	7.01	4.96	28.60	33.00

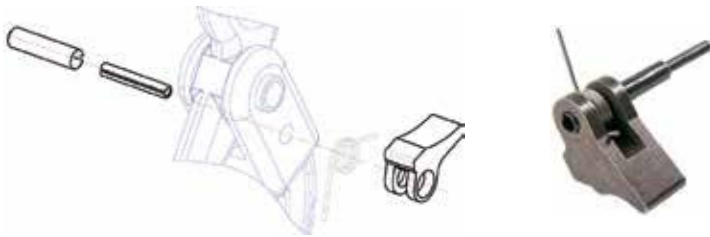
Design factor 5:1

DS/ES | Latch Kits For Sling Hooks



Code	Size				WLL For hook type	
	A [inch]	B [inch]	C [inch]	D [inch]	Carbon steel [ton]	Alloy steel [ton]
1DS0D1	1.56	1.28	0.67	0.16	0.75	1.25
1DS0D2	1.71	1.40	0.91	0.16	1.00	1.60
1DS0D3	1.93	1.61	0.98	0.16	1.60	2.50
1DS0D4	2.42	2.03	1.14	0.20	2.00	3.20
1DS0D5	3.05	2.66	1.38	0.20	3.20	5.40
1DS0D6	3.43	2.99	1.46	0.24	5.00	8.00
1DS0D7	3.78	3.37	1.93	0.24	7.50	11.50
1DS0D8	5.16	4.57	2.13	0.24	10.00	16.00
1DS0D9	6.00	5.31	2.52	0.31	--	22.00

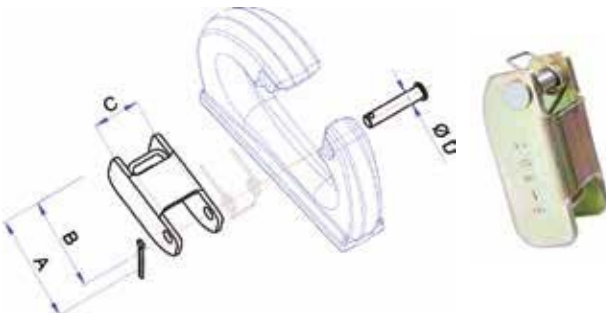
KR | Triger for Safety Hook



Triger for Swivel Safety Hook
Grade 80

Code	Size
102007KR	9/32"
102010KR	3/8"
102013KR	1/2"
102016KR	5/8"

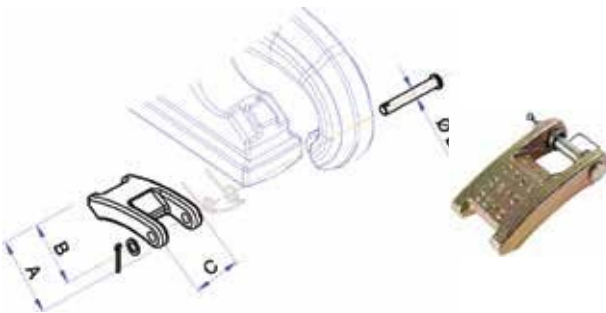
SPU | Latch for style BH



Code	Size				Fits Bucket Hook Style "BH"
	A [inch]	B [inch]	C [inch]	D [inch]	
SPU201	1.83	1.63	0.79	0.20	BH-1
SPU202	2.24	1.97	1.02	0.24	BH-3
SPU203	2.81	2.48	1.38	0.31	BH-4 & BH-5
SPU206	3.39	2.91	1.65	0.39	BH-8 & BH-10

Electrogalvanized

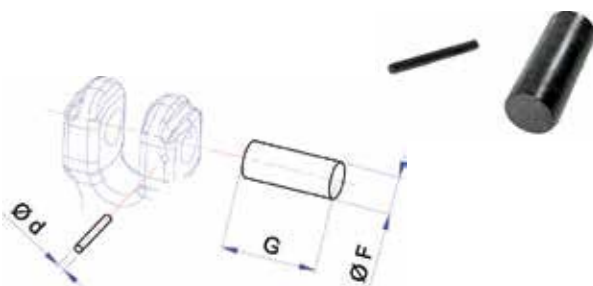
SPC | Latch for style BH-C



Code	Size				For Bucket Hook Style "C"
	A [inch]	B [inch]	C [inch]	D [inch]	
SPC204/206	2.44	2.16	1.33	0.23	BH-C10
SPC215	3.30	2.91	1.73	0.31	BH-C18

Electrogalvanized

AN | Load pins



Code	F [inch]	G [inch]	d [inch]	Chain Size (For Grade 80 Clevis Hooks)
1PE107AN	0.39	1.10	0.12	9/32"-5/16"
1PE110AN	0.49	1.38	0.12	3/8"
1PE113AN	0.63	1.50	0.16	1/2"
1PE116AN	0.79	1.97	0.20	5/8"
1PE120AN	0.94	2.36	0.20	3/4"

pewag

**WORLD'S
STRONGEST
CHAIN**
www.pewag.com



Distributed By

M^CLaughlin Hoist & Crane

1850 Larkin Williams Rd.
Fenton, MO 63026
(636)343-9700
www.stlcrane.com