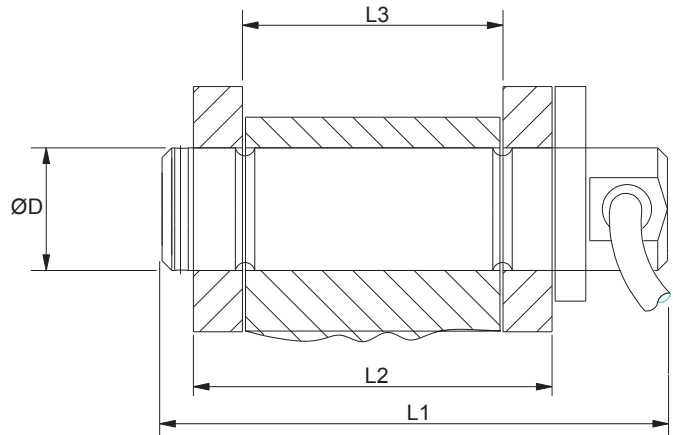


Load Pin Questionnaire

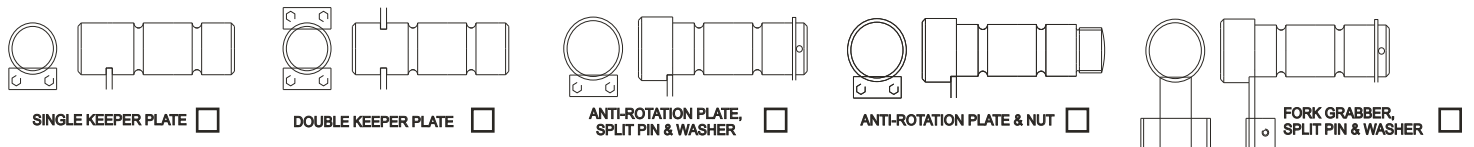
Most load pins are specially designed to fit a specific application or installation. To enable us to offer you the best solution we have devised this questionnaire so that you can provide us with the most important information for either quotation or design purposes.

Please complete each of the sections below:

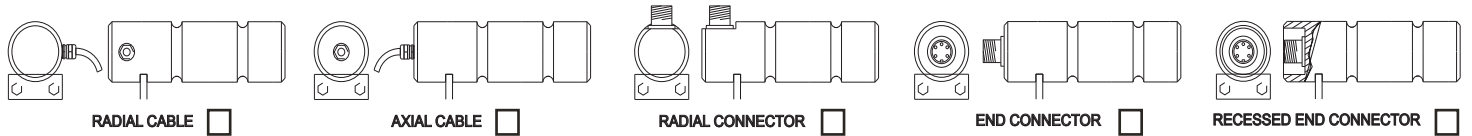
- 1) Load pin range tonne.
- 2) Load pin dimensions: D= mm
 L1= mm
 L2= mm
 L3= mm



3) Load pin locking method (please tick appropriate box)



4) Load pin cable/connector arrangement (please tick appropriate box)



5) Cable length metres or wireless?

6) Environmental protection IP

7) Brief application description:

8) Quantity required pieces

9) Instrumentation required yes / no

10) Target price

Please email completed questionnaire to McLaughlin Hoist & Crane
 Sales@StLCrane.com
 or fax to (636) 343-9700