



Transmitter Specification

Temperature Range:

- -40°F to 185°F (-40°C to 85°C)

Environmental Protection:

- IP66 and NEMA 4 Transmitter

Operation Range:

- Non-Licensed Part 15 Up to 300 feet (91.44 m)
- Non-Licensed FHSS Up to 3000 feet (914.4 m)

Frequency Range:

- Non-Licensed Part 15 430-439.8 MHz / 902-928 MHz
- Non-Licensed FHSS 902-928 MHz / 2.4-2.5 GHz
- Government Band 405-430 MHz

Output Power:

- Non-Licensed Part 15 Less than 1mW
- Non-Licensed FHSS 10 mW, 100 mW, 200 mW
- Government Band 1mW

RF Channels

- Non-Licensed Part 15 32 channels
- Non-Licensed FHSS 32 channels
- Government Band Up to 1000 frequencies

Antenna:

- Internal
- External Optional

RF Type:

- TMS (Time Multiplexed Signaling)
- FHSS (Frequency Hopping Spread Spectrum)
- Microprocessor Controlled PLL synthesizer
- Transceiver

Response Time:

- Approximately 50 ms

Test & Certifications:

- FCC Approved Part 15, Part 90
- IEC 68-2-34 Random Vibration
- IEC 68-2-27 Shock Testing
- IEC 68-2-31 Drop & Topple
- SAE 1211 Dust Testing

Graphic Display:

- Backlit display
- 2" x 1.22" (51 x 31 mm)
- Multilingual with standard ACSII characters

Weight:

- Approximately 1.5 lbs (1.13 kg)

Dimensions:

- Approximately 6.5" x 4.9" x 4.6" (165 x 125 x 117 mm)

Transmitter Component Specifications

A total of 6 inputs are available for analog components.

Joystick:

- Dual Axis stepless/proportional, up to 2 per transmitter
- Optional stepless/proportional third Axis, 2 per transmitter (IP65)
- Square Gate standard, Plus Gate optional

Potentiometers:

- Single turn

A total of 12 Toggle Switches or 24 inputs are available for digital components.

Toggle Switch:

- 2 position momentary
- 2 position maintained
- 3 position momentary
- 3 position maintained
- 3 position maintained/momentary

Push Button:

- Momentary
- Red, Green, Blue, Black, Yellow

E-STOP:

- Military Grade Push/Pull

LED:

- Red, Yellow, Green, up to 4 per transmitter

Rotary Switch:

- Up to 12 positions per switch

Key Switch:

- 3 position maintained/momentary
- 2 position maintained

USB:

- Programming Port, Optional

Infrared Port:

- Programming Port, Optional

Labeling:

- Custom labels per application
- Multilingual
- Multi-Color

Note: Other components (joysticks, switches, potentiometers, etc.) may be available upon request. Consult the factory for compatibility.



Distributed By

MCLAughlin Hoist & Crane

1850 Larkin Williams Rd.
Fenton, MO 63026
(636)343-9700
www.stlcrane.com



MAGNETEK

MLTX2 Transmitter

Technical Specifications

Battery and Charger

Battery Type:

- *Rechargeable:* 3.6 V NiMH, 3Cell Pack, 2100 mAh
- *Disposable:* Three AA Alkaline Pack, 2300 mAh

Service Life:

- *Rechargeable:* 500 cycles

Battery Contacts:

- Gold Plated

Battery Chargers:

- Maximum 3 chargers per power supply

**** Note: Charger will only work with rechargeable pack ****

Battery Charge Time:

- *Fast Charge:* approx. 2-3 hours

Charger Power:

- 120 Vac 60 Hz, 12/24 Vdc

Labeling

- Custom labels per application
- Multi-color
- Multilingual

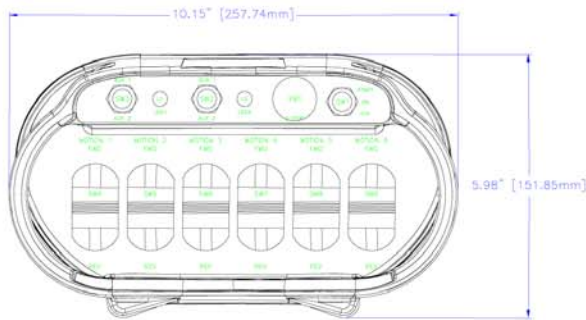


MAGNETEK

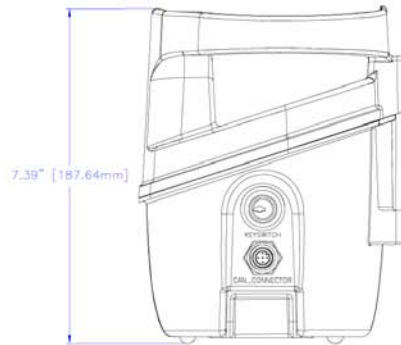
MLTX2 Transmitter

Technical Specifications

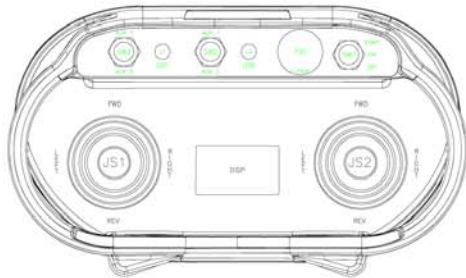
TYPICAL APPLICATION LAYOUTS



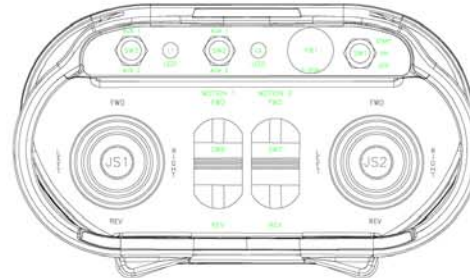
MLTX2 Configuration with 6 Paddles



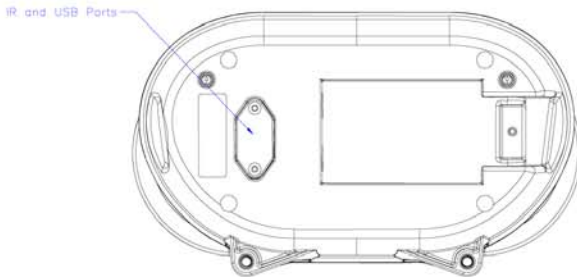
MLTX2 Side View with Keyswitch & CAN Connector



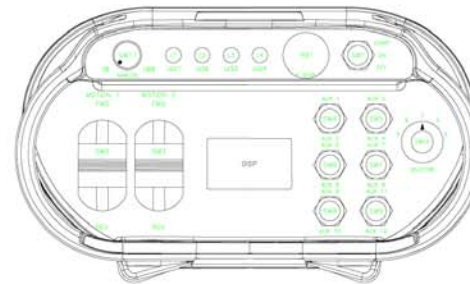
MLTX2 with 2 Joysticks & Display



MLTX2 with Joysticks & Paddles



IR and USB Port Location



MLTX2 with Display & Assorted Components