



**MAGNETEK**  
MATERIAL HANDLING

Telemotive



**MCLAUGHLIN**  
**HOIST & CRANE**

**MLTX**

**Technical Specifications**

Technical Bulletin #: MLTX Technical Bulletin

## System Specification

**Temperature Range:** -22 F to 158 F (-30°C to 70°C)

### Operation Range:

Non-Licensed Part 15 up to 300 feet (91.44 M)  
Licensed Part 90 up to 500 feet (213.36 M)

**Humidity Range:** 95% Non-condensing

**Environmental Protection:** IP66 and NEMA 4 Transmitter  
NEMA 4 Receiver  
Engineered versions may vary with design requirements

### Frequency Range:

Non-Licensed Part 15 430 to 439.8 MHz  
Licensed Part 90 72 to 76 MHz  
450 o 470 MHz

**Modulation:** FSK

**Peak Frequency Deviation:** 40 kHz (Part 15)  
3 kHz (Part 90)

**Frequency Generation** Microprocessor controlled

**Response Time:** Approximately 40 ms  
*Baud Rate* 6900 bps (Part 15)  
4800 bps (Part 90 – TMS and TMDA)

**Humming Distance Security:** 16 bit access code

**Certifications:** FCC Approved

**Optional Certifications:** Class 1 and Class 2  
Division 2  
Group A, B, C, D, E, F, and G

**Diagnostics:** On-board diagnostic system with LED indicator, transmitter, and receiver power status

## Transmitter Component Specifications

### Levers:

Rated	in excess of 5 million cycles
# per transmitter	up to 7
Boot	Available as an option

### Joysticks:

Rated	in excess of 5 million cycles
# per transmitter	up to 2

### Toggles:

Type	2 position single pole, 2 position double pole, 3 position double pole maintained, 3 position double pole momentary
Rated	MIL-S-83731
# per transmitter	dependent on levers and Signaling

### Push Button:

Type	Single Pole or Double Pole
Rated	250,000 Operations at 1 AMP at 28 VDC (we use the product at a lower rating)
# per transmitter	dependent on levers and Signaling

### Magnet Toggles:

Type	Lift to operate, 1 position maintain, 2 position maintain, 1 side momentary, and 1 side maintain
Rated	MIL-S-8834
# per transmitter	dependent on levers and Signaling

### E STOP:

Type	Push/Pull
Rated	10,000 cycles
# per transmitter	1

### Code-Plug:

Type	Twist to lock down
Rated	N/A
# per transmitter	Up to 4, depending on other components

### LED:

Type	Red
Rated	N/A
# per transmitter	1 (standard); up to 2 are possible

### Rotary Switch:

Type	2 positions and 3 positions
Rated	25,000 cycles minimum
# per transmitter	dependent on levers and Signaling

### Key Switch:

Type	Turn to operate removable in one position (two types available)
Rated	N/A
Seal	IP60
# per transmitter	1



**MAGNETEK**  
MATERIAL HANDLING

Telemotive

# MLTX

## Technical Specifications

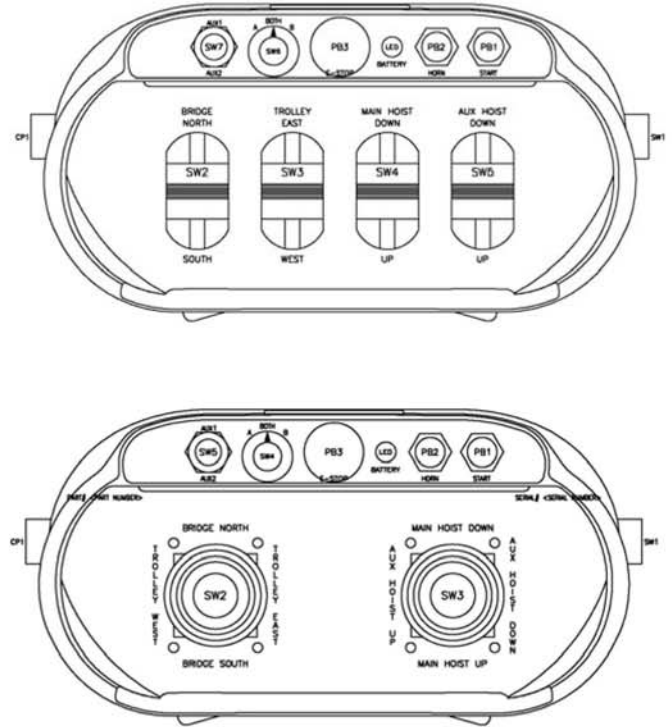
Technical Bulletin #: MLTX Technical Bulletin

### Transmitter Specification

- Type:** Belly Box with levers or joysticks
- Weight:** Dependent on configuration. Approximately 3 lbs.
- Dimensions:** Approximately 10" x 5.75" x 7.25"
- Antenna:** Built-in
- Functions:** Up to a maximum of 7 motions, with 6 auxiliary switches
- Power Out:** Unlicensed – Part 15 Compliant  
Licensed – 100mW

**Passed the following mechanical tests:**

- IEC 68-2-34 Random Vibration
- IEC 68-2-27 Shock Testing
- IEC 68-2-31 Drop & Topple
- SAE 1211 Dust Testing
- IP 66
- NEMA 4



### Battery and Charger

- Battery Type**
- Rechargeable: 7.2 V NiMH, 12 V NiMH
  - Battery Capacity: 1900 mAh
- Service Life**
- Rechargeable: 500 cycles
- Battery Contacts:** Gold Plated
- Battery Chargers:** Maximum 3 chargers per power supply
- Charger Power:** 120 VAC 60 Hz
- Battery Charge Time:** Fast Charge: approx. 1 hour



**MAGNETEK**  
MATERIAL HANDLING

**ELECTROMOTIVE**  
**TELEMOTIVE**  
**MONDEL**