



**Telemotive**

**Technical Specifications**

Technical Bulletin #: SLTX Technical Bulletin

**System Specification**

<i>Temperature Range:</i>	-22 F to 158 F (-30°C to 70°C)
<i>Operation Range:</i>	
Non-Licensed Part 15	up to 300 feet (91.44 M)
Licensed Part 90	up to 2000 feet (609.59 M) with external antenna
<i>Humidity Range:</i>	95% Non-Condensing
<i>Environmental Protection:</i>	IP6 Nema 1 Engineered versions may vary with design requirements
<i>Frequency Range:</i>	
Non-Licensed Part 15	430 to 439.8 MHz
Licensed Part 90	72 to 76 MHz 450 to 470 MHz
<i>Modulation:</i>	FSK
<i>Peak Frequency Deviation:</i>	40 kHz (Part 15) 3 kHz (Part 90)
<i>Frequency Generation:</i>	Microprocessor controlled
<i>Response Time:</i>	Approximately 40 ms
<i>Baud Rate</i>	9600 bps (Part 15) 2400 (Part 90 – cont. carrier) 4800 (Part 90 – TMS)
<i>Humming Distance</i>	
<i>Security:</i>	16 bit access code
<i>Certifications:</i>	FCC Pending
<i>Diagnostics:</i>	On-board diagnostic system with LED indicator, transmitter and receiver power status

**Battery and Charger**

<i>Battery Type</i>	
<i>Rechargeable:</i>	7.2 V NiMH, 12 V NiMH
<i>Non-Rechargeable:</i>	9V Alkaline
<i>Battery Capacity:</i>	1900 mAh
<i>Service Life</i>	
<i>Rechargeable:</i>	500 cycles
<i>Alkaline:</i>	1 cycle
<i>Battery Contacts:</i>	Gold Plated
<i>Battery Chargers:</i>	Maximum 3 chargers per power supply
<i>Charger Power:</i>	120 VAC 60 Hz
<i>Battery Charge Time:</i>	Fast Charge: 1 Hour
<i>Trickle Charge:</i>	12 Hours

**Transmitter Component Specifications**

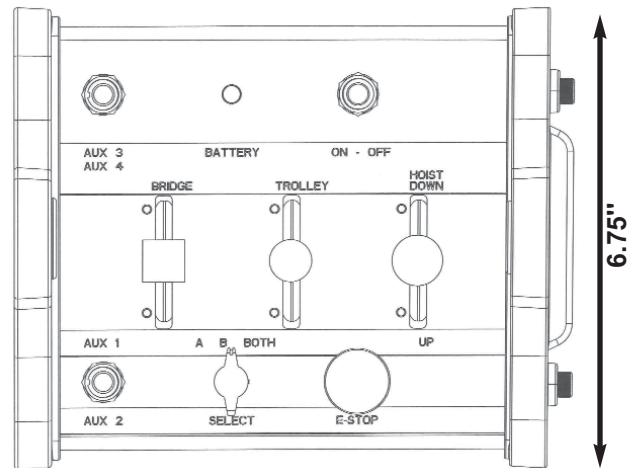
<b>Levers:</b>	<b>3 Stepped, 5 Stepped and Stepless</b>
Rated	in excess of 1 million cycles
# Per transmitter	up to 7
<b>Toggles:</b>	
Type	2 position single pole, 2 position double pole, 3 position double pole maintained, 3 position double pole momentary
Rated	MIL-S-83731
# Per transmitter	dependent on levers and Signaling (TMS, TDMA, and Continuous)
<b>Push Button:</b>	
Type	Single Pole or Double Pole
Rated	250,000 Operations at 1 AMP at 28 VDC (we use the product at a lower rating)
# Per transmitter	dependent on levers and Signaling (TMS, TDMA, and Continuous)
<b>Magnet Toggles:</b>	
Type	Lift to operate, 1 position maintain, 2 position maintain, 1 side momentary and 1 side maintain
Rated	MIL-S-8834
# Per transmitter	dependent on levers and Signaling (TMS, TDMA, and Continuous)
<b>E STOP:</b>	
Type	Push/Pull
Rated	10,000 cycles min
# Per transmitter	1
<b>Code-Plug:</b>	
Type	Twist to lock down
Rated	N/A
# Per transmitter	dependent on levers and Signaling (TMS, TDMA, and Continuous)
<b>LED:</b>	
Type	Red
Rated	N/A
# Per transmitter	1 (standard) up to 2 are possible
<b>Rotary Switch:</b>	
Type	2 positions and 3 positions
Rated	25,000 cycles minimum
# Per transmitter	dependent on levers and Signaling (TMS, TDMA, and Continuous)
<b>Key Switch:</b>	
Type	Turn to operate removable in one position (two types available)
# Per transmitter	1



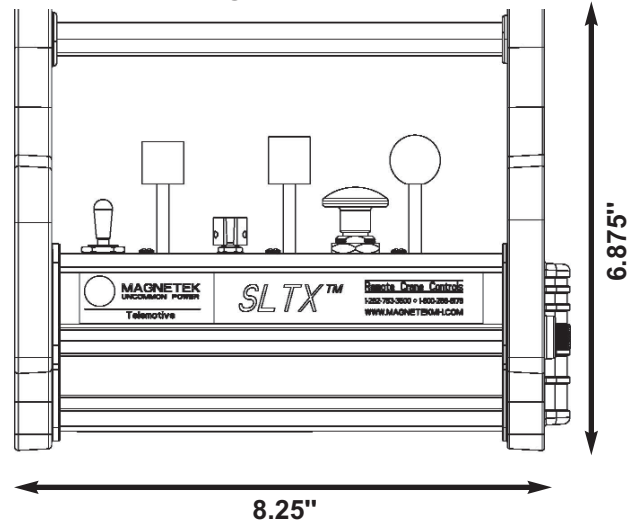
### Transmitter Specification

- Type: Belly Box with levers
- Weight: Dependent on configuration. Approximately 5 lbs.
- Dimensions: Depends on configuration (Pre-engineered 3 Lever Part 15 is approximately 8.25"(L) x 6.75"(W) x 6.875"(H)) *Length varies depending on configuration.*
- Antenna: Built-in and/or external
- Functions: Up to a maximum of 7 levers with 8 auxiliaries
- Power Out: Unlicensed – Part 15 Compliant  
Licensed – up to 700mW
- Passed the following mechanical tests:
  - IEC 68-2-34 Random Vibration
  - IEC 68-2-27 Shock Testing
  - IEC 68-2-31 Drop & Topple
  - SAE 1211 Dust Testing

**TOP VIEW**



**SIDE VIEW**



Length varies depending on configuration