



Transmitter Specification

Temperature Range:

- 40°F to 185°F (-40°C to 85°C)

Environmental Protection:

- IP66 and NEMA 4 Transmitter

Operation Range:

- Non-Licensed Part 15 up to 300 feet (91.44 m)
Licensed Part 90(VHF/UHF) up to 500 feet (213.36 m)
Non-Licensed FHSS up to 3000 feet (914.4 m)

Frequency Range:

- Non-Licensed Part 15 430-439.8 MHz / 902-928 MHz
Licensed Part 90(VHF/UHF) 72-76 MHz/450-470 MHz (Fall'09)
Non-Licensed FHSS 902-928 MHz / 2.4-2.5 GHz
Government Band 405-430 MHz

Output Power:

- Non-Licensed Part 15 Less than 1mW
Licensed Part 90(VHF/UHF) 100 mW
Non-Licensed FHSS 10 mW, 100 mW, 200 mW
Government Band 1mW

RF Channels

- Non-Licensed Part 15 32 channels
Licensed Part 90(VHF/UHF) up to 400/1000 frequencies
Non-Licensed FHSS 32 channels
Government Band up to 1000 frequencies

Antenna:

- Internal
External Optional

RF Type:

- TMS (Time Multiplexed Signaling)
TDMA (Time Division Multiple Access)
FHSS (Frequency Hopping Spread Spectrum)
CC (Continuous Carrier)
Microprocessor Controlled PLL synthesizer
Transceiver

Response Time:

- Approximately 50 ms

Test & Certifications:

- FCC Approved Part 15, Part 90
IEC 68-2-34 Random Vibration
IEC 68-2-27 Shock Testing
IEC 68-2-31 Drop & Topple
SAE 1211 Dust Testing

Graphic Display:

- Backlit display
2" x 1.22" (51 x 31 mm)
Multilingual with standard ACSII characters

Weight:

- Approximately 5 lbs (2.28 kg)

Dimensions:

- Approximately 12" x 6.5" x 7.0" (305 x 165 x 180 mm)

Transmitter Component Specifications

A total of 10 inputs are available for analog components.

Paddle:

- Single Axis, stepless. Spring Return & Friction Lock
1-5 programmed speed points
Rubber Protective Boot available as option
Up to 8 per transmitter

Joystick:

- Single Axis with 3 or 5 detents, up to 4 per transmitter
Dual Axis with 3 or 5 detents, up to 4 per transmitter
Dual Axis stepless/proportional, up to 3 per transmitter
Optional stepless/proportional third Axis, 2 per transmitter
Square Gate standard, Plus Gate optional
Handles available in Square/Cylinder/Sphere/Hex pattern

Potentiometers:

- Single turn

A total of 40 inputs are available for digital components.

Toggle Switch:

- 2 position momentary
2 position maintained
3 position momentary
3 position maintained
3 position maintained/momentary
2 position Lift & Lock maintained

Push Button:

- Momentary
Red, Green, Blue, Black, Yellow

E-STOP:

- Military Grade Push/Pull

LED:

- Red, Yellow, Green

Rotary Switch:

- Up to 12 positions per switch

Key Switch:

- 3 position maintained/momentary
2 position maintained

Code Plug:

- Field changeable, 8-bit access code
Up to 4 per transmitter

Buzzer:

- 92 dB of sound pressure

USB:

- Programming Port, Optional

Infrared Port:

- Programming Port, Optional

Note: Other components (joysticks, switches, potentiometers, etc.) may be available upon request. Consult the factory for compatibility.



MAGNETEK

XLTX™ Bellybox Transmitter

Technical Specifications

Battery and Charger

Battery Type:

- Rechargeable: 4.8 V NiMH, 4Cell Pack, 2100 mAh
- Disposable: Three AA Alkaline Pack, 2300 mAh

Service Life:

- Rechargeable: 500 cycles

Battery Contacts:

- Gold Plated

Battery Chargers:

- Maximum 3 chargers per power supply

**** Note: Charger will only work with Rechargeable pack ****

Battery Charge Time:

- Fast Charge: approx. 2-3 hours

Charger Power:

- 120 Vac 60 Hz, 12/24 Vdc

Labeling

- Custom labels per application
- Multi-color
- Multilingual

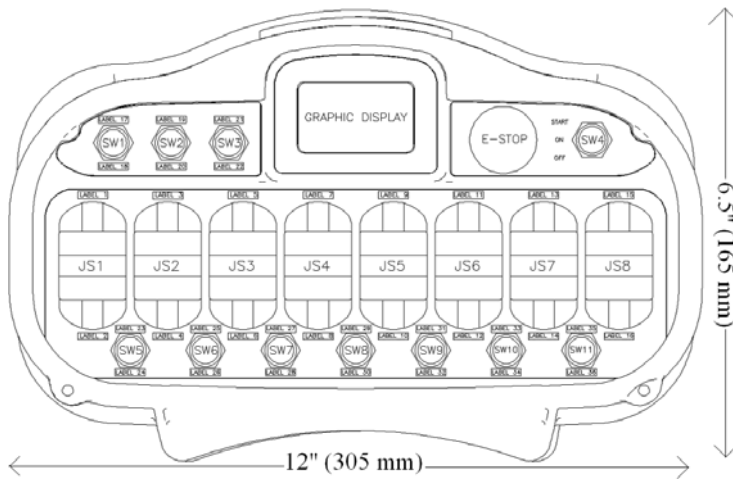


MAGNETEK

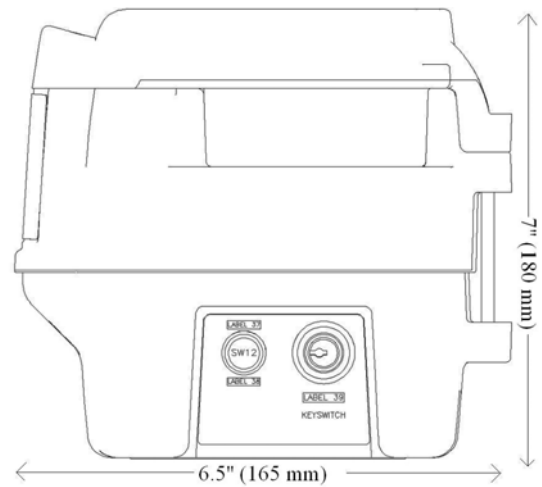
XLTX™ Bellybox Transmitter

Technical Specifications

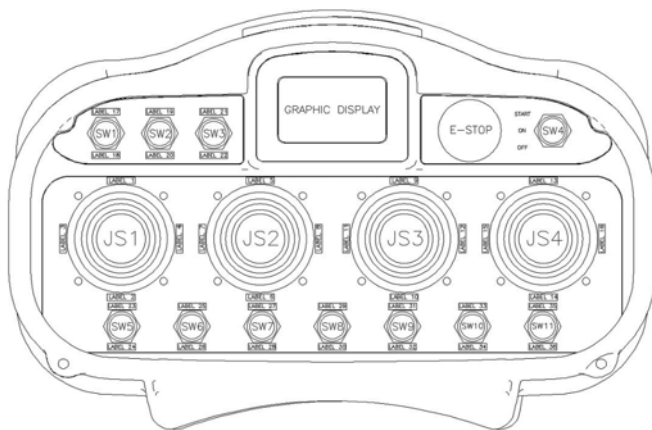
TYPICAL APPLICATION LAYOUTS



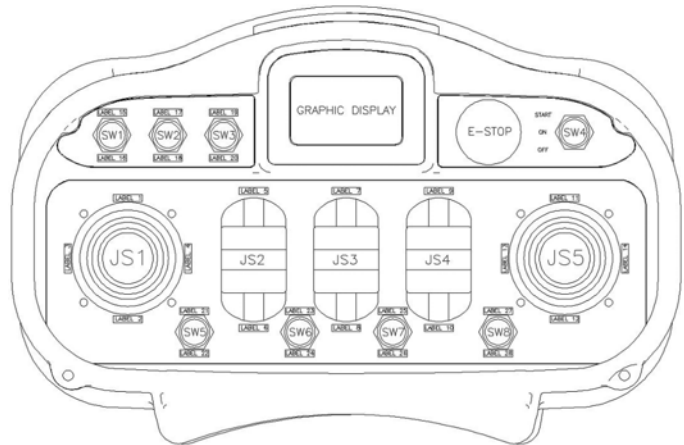
XLTX Configuration with 8 Paddles



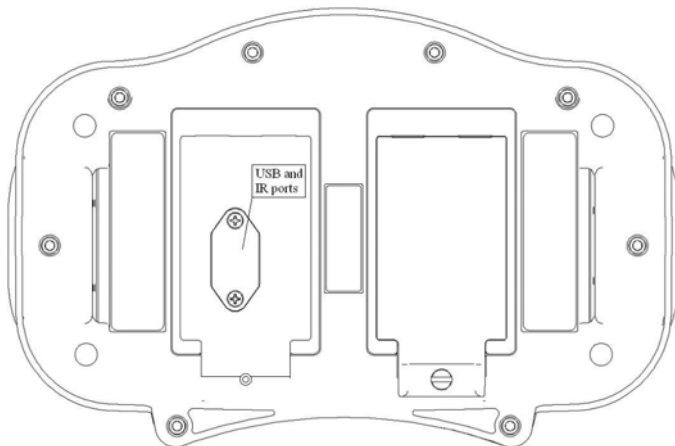
XLTX with Keypad and Code Plug



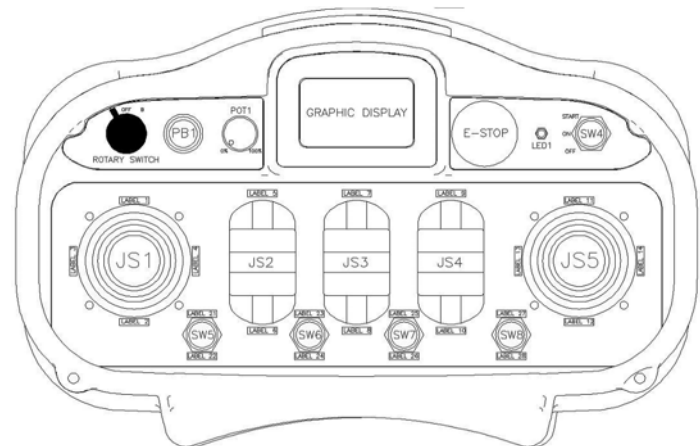
XLTX with Joysticks



XLTX with Joysticks and Paddles



IR and USB Port Location



XLTX with Assorted Components