

Coil Lifters and Upenders



The Caldwell Group

Model 88 - Heavy Duty Coil Upender



Shown with V-Block Option

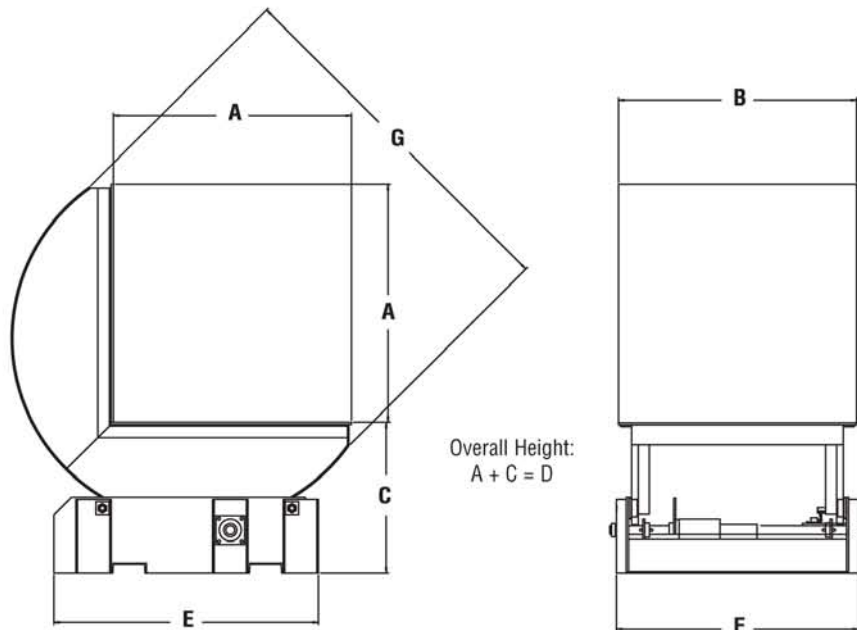
PRODUCT FEATURES:

- Fast and convenient way to upend coils to 90°.
- Heavy duty disc brake will stop load in any position.
- Reversing magnetic starter with 115 volt pendant control.
- Stop travel/over travel limit switches.

PRODUCT OPTIONS:

- Larger platforms available.
- V-Block, either standard or urethane faced.
- 180° horizontal rotation which permits loading, and unloading from same side.
- Fork lift truck pick-up pockets.

NOTE: If load is *not* a coil, specify center of gravity of load being rotated.



SPECIFICATIONS

Model Number	Capacity (tons)	Dimensions (inches)							Weight (lbs.)
		A	B	C	D	E	F	G	
88-1-36	1	36	36	24*	60	48	36	51	1500
88-2-36	2	36	36	24*	60	48	36	51	1600
88-3-42	3	42	42	24*	66	56	42	60	2000
88-4-42	4	42	42	24*	66	56	42	60	2200
88-5-48	5	48	48	30	78	61	48	66	2750
88-7 1/2-48	7-1/2	48	48	30	78	61	48	66	2900
88-10-54	10	54	54	30	84	60	55	74	3700
88-12 1/2-54	12-1/2	54	54	36	90	69	55	74	4000
88-15-60	15	60	60	36	96	73	60	80	4500
88-20-60	20	60	60	36	96	73	60	80	6200
88-25-72	25	72	72	43	115	88	72	96	10000
88-30-72	30	72	72	48	120	88	72	96	12000

* Platform over 42" x 42" will have height of 30". Pallets must not extend over platform sides. Other sizes available, consult factory.



Distributed By
McLaughlin Hoist & Crane
1850 Larkin Williams Rd.
Fenton, MO 63026
(636) 343-9700
www.slcrane.com

Strong-Bac® Section
2009-2010 Master Catalog

Coil Lifters and Upenders



The Caldwell Group

Model 88L - Low Platform Coil Upender



Shown with V-Block Option

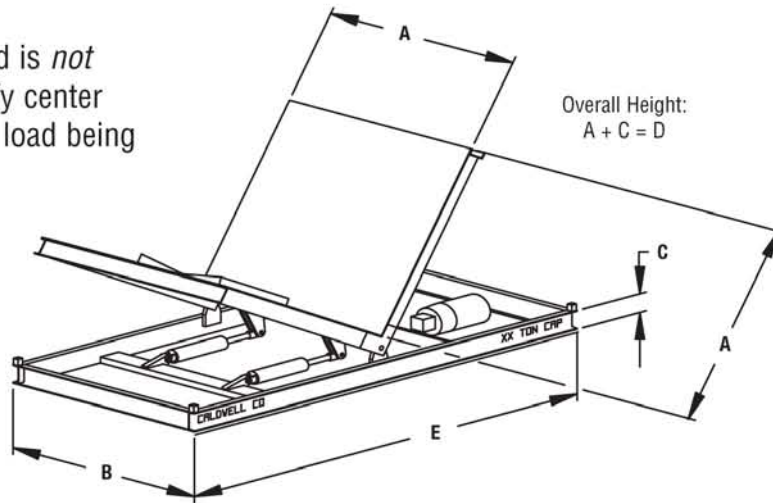
PRODUCT FEATURES:

- Lower platform design offers easier access by operator.
- Fast and convenient way to upend coils to 90°.
- Requires less platform height.
- Magnetic starter with 115 volt pendant control.
- Double acting hydraulic cylinders.
- Relief valve prevents over-capacity rotation.
- Stop limit switches at each end of rotation.

PRODUCT OPTIONS:

- Larger platforms available.
- Unequal platform sizes available.
- V-Block, either standard or urethane faced.
- 180° horizontal rotation, which permits loading and unloading from same side.

NOTE: If load is *not* a coil, specify center of gravity of load being rotated.



SPECIFICATIONS

Model Number	Capacity (tons)	Dimensions (inches)					Weight (lbs.)
		A	B	C	D	E	
88L-1/2-36	1/2	36	36	8-1/4	44-1/4	78	1500
88L-1-36	1	36	36	9-1/4	45-1/4	78	1600
88L-1 1/2-36	1-1/2	36	36	10-1/4	46-1/4	78	1800
88L-2-36	2	36	36	12-1/4	48-1/4	78	2000
88L-2 1/2-42	2-1/2	42	42	13-1/4	55-1/4	90	2200
88L-3-42	3	42	42	14-1/4	56-1/4	90	2300
88L-3 1/2-42	3-1/2	42	42	15-1/4	57-1/4	90	2400
88L-4-42	4	42	42	17-3/8	59-3/8	90	2600
88L-4 1/2-48	4-1/2	48	48	18-3/8	66-3/8	102	2800
88L-5-48	5	48	48	19-3/8	67-3/8	102	3000
88L-6-48	6	48	48	20-3/8	68-3/8	102	3600
88L-7 1/2-48	7-1/2	48	48	20-3/8	68-3/8	102	5000

Pallets must not extend over platform sides. Other sizes available, consult factory.



Distributed By
McLaughlin Hoist & Crane
1850 Larkin Williams Rd.
Fenton, MO 63026
(636) 343-9700
www.stlcrane.com

Strong-Bac® Section
2009-2010 Master Catalog

Coil Handling - Application Evaluation



The Caldwell Group

Specify type of lifter desired: _____

COIL INFORMATION:

Minimum: O.D. _____ I.D. _____ Width/Height _____ Weight _____

Maximum: O.D. _____ I.D. _____ Width/Height _____ Weight _____

In which position will coil be handled? Eye Vertical Eye Horizontal

Describe coil material: Steel Aluminum Brass/Copper

Other, describe: _____

Describe characteristics of coil (ex. tightly wound, banded, telescoped, oily, hot, etc.): _____

Describe where coil is resting and where it will be placed (ex. on a flat surface, pallet, turnstile arm, etc.): _____

Do the coils need to be protected from damage? Yes, describe: _____ No

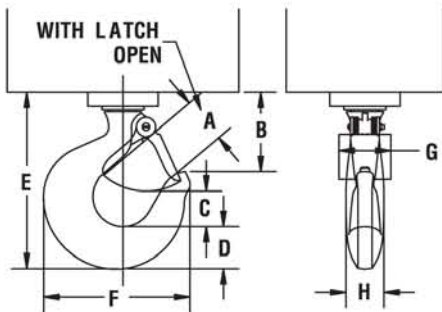
ADDITIONAL INFORMATION:

Are reversing motor controls required? No Yes If yes, Furnished Loose Mounted On Lifter

CMAA Crane Duty Class (A, B, C, D, E, F): _____

Please use the space provided below for additional application information or lifter options required (ex: headroom limitations, clearances where load is picked up and placed, etc.): _____

CRANE HOOK DATA:



INCHES

A _____ +0
 B _____ +0
 C _____ +0
 D _____ -0
 E _____ -0
 F _____ +/-
 G _____ -0
 H _____ -0

Contact: _____

Company: _____

Address: _____

City, State, Zip: _____

Phone: _____

Fax: _____

Email: _____

Measurement Tolerances

+0 = Measurement should be no larger but can be smaller than actual.

-0 = Measurement should be no smaller but can be larger than actual.

+/- = Measurement can be larger or smaller than actual.

McLaughlin Hoist & Crane
Authorized Sales & Service

(636) 343-9700

www.stlcrane.com



Distributed By
 McLaughlin Hoist & Crane
 1850 Larkin Williams Rd.
 Fenton, MO 63026
 (636) 343-9700
 www.stlcrane.com

Strong-Bac® Section
 2009-2010 Master Catalog