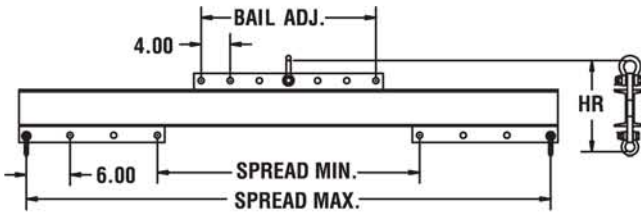


Economy Lifting Beams

Model 16 - Adjustable Spreader/Lifting Beam



QUICKSHIP PROGRAM

PRODUCT FEATURES:

- Has adjustable lifting points.
- Can handle both wide and unbalanced loads.
- Low headroom capability.
- Shackles included.
- Converts to spreader beam with addition of top rigging.
- Optional swivel hooks available.
- Optional chain top rigging available.
- Complies with ASME standards.

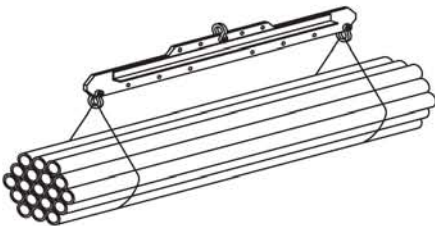
PRODUCT OPTIONS:

- **OPTION S** - Pair of swivel hooks
- **OPTION C** - Chain top rigging
- Cross beams (one or two) specify spread(s), contact Caldwell Applications.

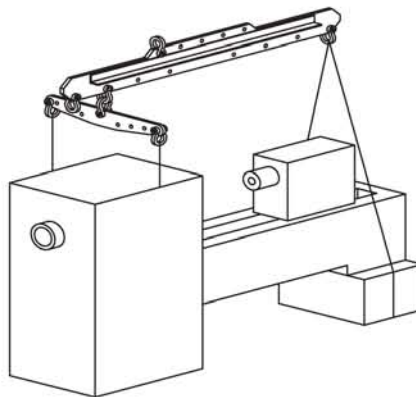
SPECIFICATIONS

Model Number	Rated Capacity (tons)	Spread (in.)		Bail Adjustment (in.)	HR Headroom (in.)	Bolt Type Anchor Shackle (tons)		Weight (lbs.)
		Max.	Min.			Top	Bottom	
16-1/4-4	1/4	48	12	16	7.1	1 1/2	1 1/2	37
16-1/2-6	1/2	72	36	24	9.94	1 1/2	1 1/2	76
16-1-6	1	72	36	24	9.94	1 1/2	1 1/2	76
16-2-6	2	72	36	24	12.6	3 1/4	2	128
16-4-8	4	96	48	32	16.6	4 3/4	4 3/4	270
16-5-10	5	120	60	40	20.2	6 1/2	4 3/4	445
16-7-12	7	144	72	48	23.8	8 1/2	6 1/2	755

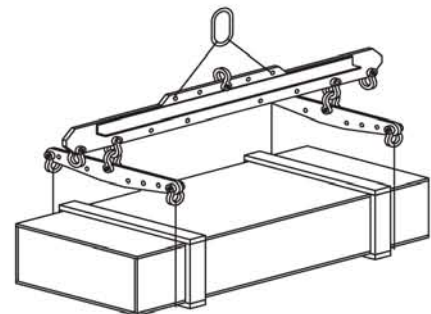
Operation



Standard
2 Point Lift



Custom
3 Point Lift



Custom
4 Point Lift



The Caldwell Group



Distributed By
McLaughlin Hoist & Crane
1850 Larkin Williams Rd.
Penton, MO 63026
(636)343-9700
www.slcrane.com

Strong-Bac® Section
2009-2010 Master Catalog

Economy Lifting Beams

Model 17 - Adjustable Lifting Beam

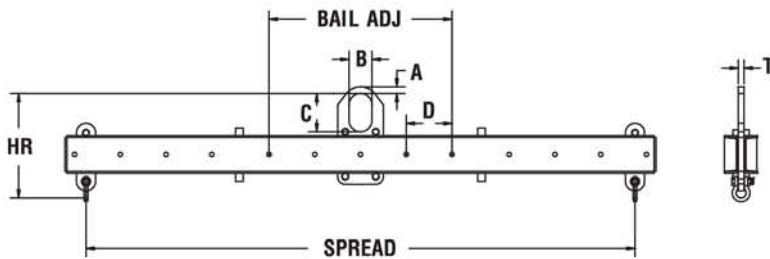


PRODUCT FEATURES:

- Bail adjusts horizontally for lifting unbalanced loads.
- Provides clearance in low headroom applications.
- Spread adjusts in 6" increments along lifting beam.
- Shackles included.
- Optional swivel hooks available.
- Complies with ASME standards.

PRODUCT OPTIONS:

- **OPTION S** - Pair of swivel hooks

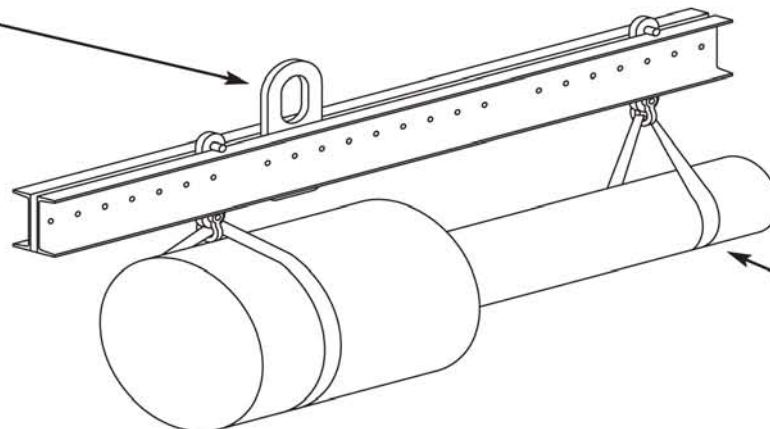


SPECIFICATIONS

Model Number	Rated Capacity (tons)	Spread (in.)		Bail Adjustment		HR Headroom (in.)	Shackle Size (tons)	Bail Dimensions (in.)				Weight (lbs.)
		Max.	Min.	Range (in.)	D (in.)			A	B	C	T	
17-1 1/4-6	1-1/4	72	36	24	3	14.7	2	1 1/2	3	5	5/8	150
17-2-6	2	72	36	24	3	14.7	2	1 1/2	3	5	5/8	155
17-4-8	4	96	54	36	6	19.8	3 1/4	2	4	7	3/4	285
17-5-10	5	120	60	36	6	22.4	4 3/4	2	4	7	1	475

Operation

BAIL ADJUSTED FOR UNBALANCED LOAD



LIFT POINTS ADJUSTED FOR LOAD LENGTH



The Caldwell Group



Distributed By
McLaughlin Hoist & Crane
1850 Larkin Williams Rd.
Fenton, MO 63026
(636) 343-9700
www.slcrane.com

Strong-Bac® Section
2009-2010 Master Catalog

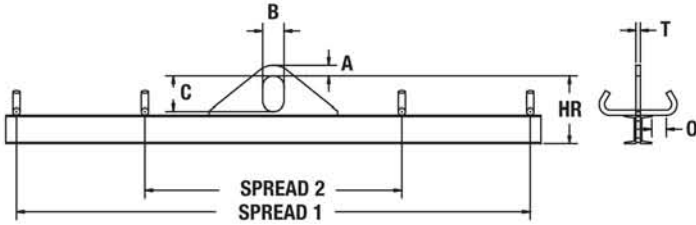
Economy Lifting Beams

Model 18 - Fixed Twin Basket Sling Lifting Beam



PRODUCT FEATURES:

- Designed to be used with slings in a basket hitch.
- Provides greatest clearance in low headroom applications.
- Two sets of bent bar hooks are standard on units with a spread of 6' and greater.
- Spread 2 is 1/2 of spread 1.
- Hooks are designed to handle up to a 2" sling eye width.
- Complies with ASME standards.

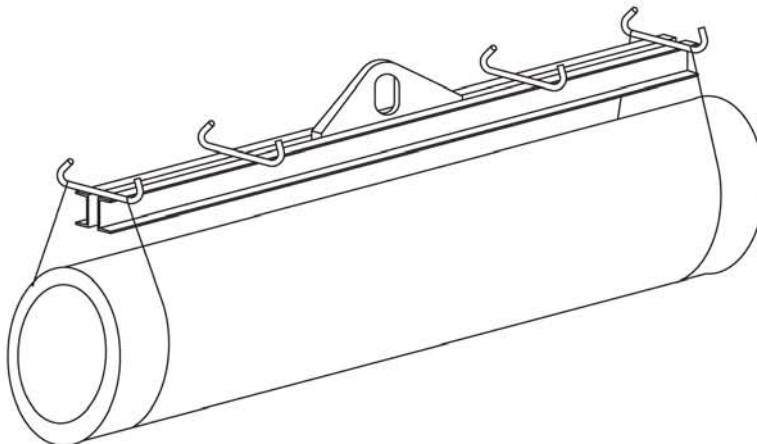


SPECIFICATIONS

Capacity (tons)	Model Number HR Headroom (in.) Weight (lbs.)	Spread (feet)						Other Dimensions (in.)
		3*	4*	6	8	10	12	
1/2	Model Number	18-1/2-3	18-1/2-4	18-1/2-6	18-1/2-8	18-1/2-10	18-1/2-12	A=7/8 T=3/4
	HR Headroom	8-1/2	8-1/2	8-1/2	8-1/2	8-1/2	9-1/2	B=3 O=2
	Weight	40	48	78	95	113	171	C=5
1	Model Number	18-1-3	18-1-4	18-1-6	18-1-8	18-1-10	18-1-12	A=7/8 T=3/4
	HR Headroom	8-1/2	8-1/2	9-1/2	10-1/2	10-1/2	11-1/2	B=3 O=2
	Weight	40	48	93	136	175	239	C=5
2	Model Number	18-2-3	18-2-4	18-2-6	18-2-8	18-2-10	18-2-12	A=7/8 T=3/4
	HR Headroom	9-1/2	10-1/2	10-1/2	11-1/2	12-1/2	13-1/2	B=3 O=2
	Weight	52	75	139	169	246	326	C=5
5	Model Number	18-5-3	18-5-4	18-5-6	18-5-8	18-5-10	18-5-12	A=2 T=1-1/4
	HR Headroom	13-1/2	14-1/2	15-1/2	16-1/2	17-1/2	19-1/2	B=4 O=2
	Weight	104	135	211	310	423	618	C=7
7 1/2	Model Number	18-7 1/2-3	18-7 1/2-4	18-7 1/2-6	18-7 1/2-8			A=2 T=1-1/4
	HR Headroom	12	14	15	17			B=4 O=2
	Weight	125	185	315	475			C=7

* 3' and 4' beams are provided with one set of bent bar hooks.

Operation



Economy Lifting Beams



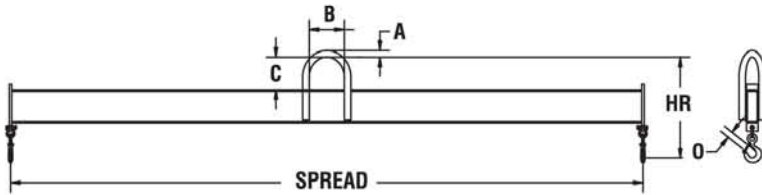
The Caldwell Group

Model 19 - Fixed Spread Lifting Beam



PRODUCT FEATURES:

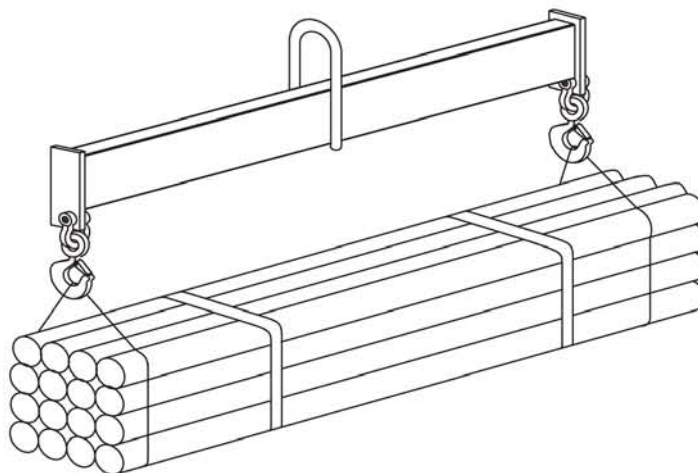
- Provides clearance in low headroom applications.
- Eye hooks with hook latches standard.
- Fixed spread.
- Complies with ASME standards.



SPECIFICATIONS

Capacity (tons)	Model Number HR Headroom (in.) Weight (lbs.)	Spread (feet)				Other Dimensions (in.)	
		4	6	8	10		
1/2	Model Number	19-1/2-4	19-1/2-6	19-1/2-8	19-1/2-10	A = .75	O = .89
	HR Headroom	13 1/4	13 1/4	13 1/4	14 1/4	B = 3	
	Weight	39	53	64	95	C = 5	
1	Model Number	19-1-4	19-1-6	19-1-8	19-1-10	A = 1	O = .89
	HR Headroom	13 1/4	14 1/4	15 1/4	15 1/4	B = 3	
	Weight	40	75	100	117	C = 5	
2	Model Number	19-2-4	19-2-6	19-2-8	19-2-10	A = 1	O = 1
	HR Headroom	16 3/4	17 3/4	19 3/4	19 3/4	B = 3	
	Weight	45	89	114	138	C = 5	
3	Model Number	19-3-4	19-3-6	19-3-8	19-3-10	A = 1 1/2	O = 1
	HR Headroom	21	23	23	23	B = 4	
	Weight	78	138	173	284	C = 7	

Operation



Distributed By
McLaughlin Hoist & Crane
1850 Larkin Williams Rd.
Fenton, MO 63026
(636) 343-9700
www.stlcrane.com

Strong-Bac® Section
2009-2010 Master Catalog