

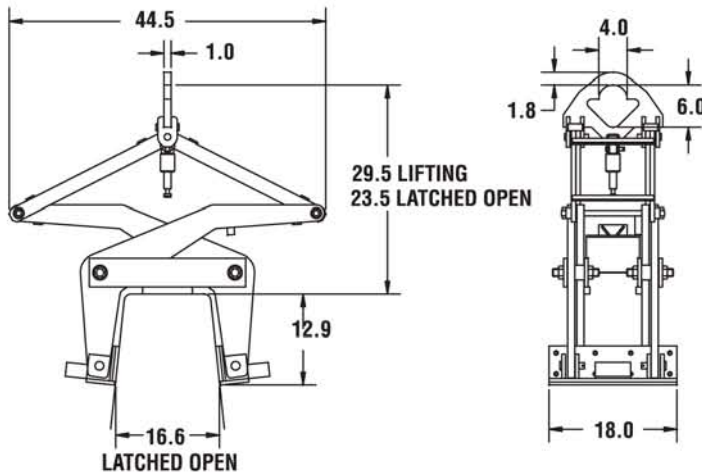
Grabs & Tongs

Model 74 - Barrier Grabs



PRODUCT FEATURES:

- Hands-off operation. No need to attach and secure lifting chains or slings.
- The barrier suffers far less damage when moving. This means longer barrier life and reduced cost.
- The grab is able to move barriers quicker and easier than manual methods, resulting in less man-hours.
- There is no need to drill holes in the barriers to accommodate chains or slings.
- Replaceable urethane lifting pads are standard.
- Designed and manufactured to ASME B30.20.

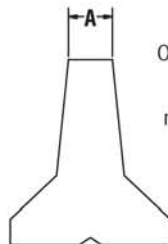


IN-STOCK PROGRAM

SPECIFICATIONS

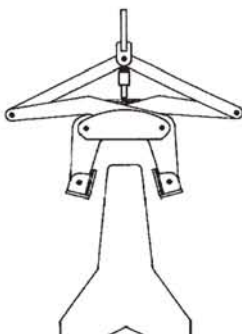
Model Number	Rated Capacity (lbs.)	Weight (lbs.)
74-4 1/4	8,500	452
74-7 1/4	14,500	517

Note: States of CA, OR & WA may require special grips with steel "Dog Points" in lieu of standard pads. Specify "Dog Points" with order.

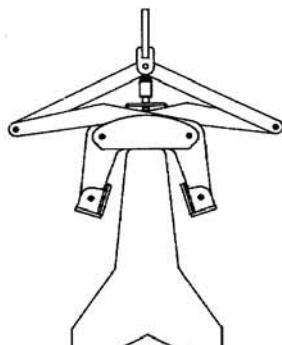


Our standard Barrier Grab will handle 6"-12" nominal width at the top ("A" dimension).

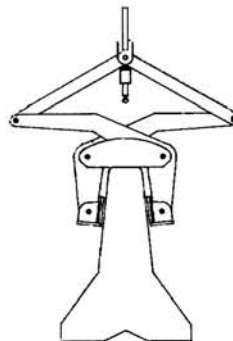
Operation



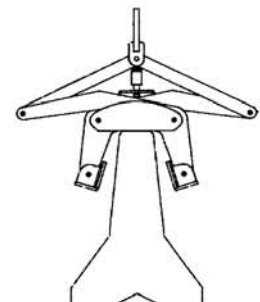
Tong is placed on load in open position. Hoist line must be slack for auto-latch to disengage.



Crane hook is then raised allowing pads to engage barrier.



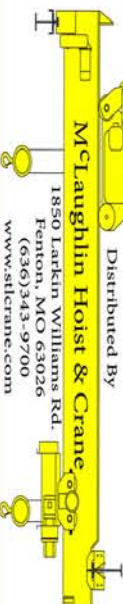
Barrier is placed in position. Hoist line must be slack for auto-latch to engage.



With auto-latch engaged, grab is held open to allow lifting and placement of next barrier.



The Caldwell Group



Distributed By
McLaughlin Hoist & Crane
1850 Larkin Williams Rd.
Penton, MO 63026
(636) 343-9700
www.srlcrane.com

Rig-Master® Section
Master Catalog MC-607

Grabs & Tongs



The Caldwell Group

Model 74 - Barrier Grabs

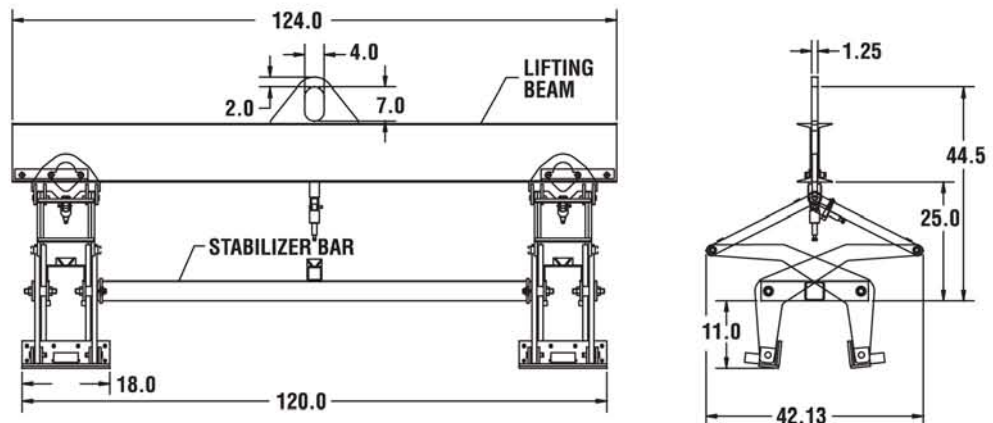
Optional Extended Barrier Grab Kit



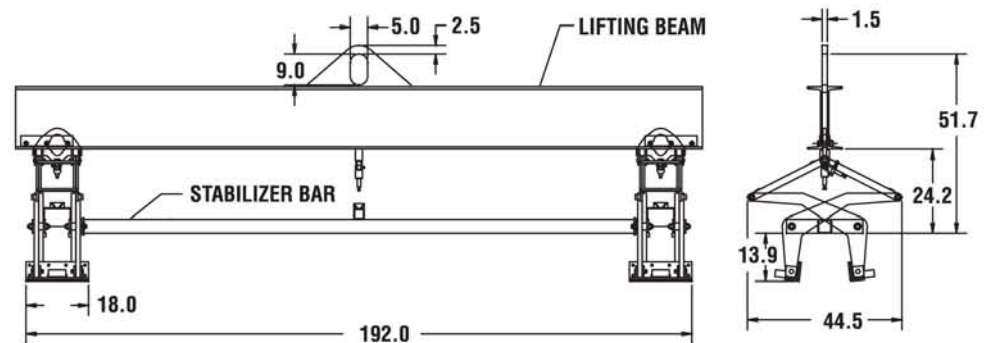
PRODUCT FEATURES:

- Attach two Barrier Grabs, and expand your barrier handling capabilities.
- Handles barriers up to 40' in length.
- Beams can be used for other material handling applications when Barrier Grabs are removed.
- Single auto-latch for extended unit allows for smooth operation.

74-4 1/4-E Kit Entire Unit Rated Capacity: 17,000 lbs



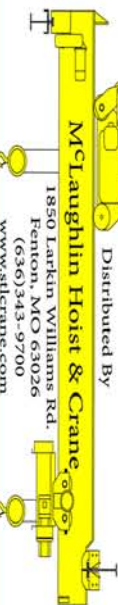
74-7 1/4 E Kit Entire Unit Rated Capacity: 29,000 lbs



BARRIER GRABS MUST BE PURCHASED SEPARATELY

Each kit consists of:

- 1 - Model 20 lifting beam, with Autolatch lug welded in place.
- 1 - Autolatch
- 1 - Stabilizer bar
- 1 - Set of attaching hardware



Rig-Master® Section
Master Catalog MC-607

Grabs & Tongs



The Caldwell Group

Model ST - Slab Tongs

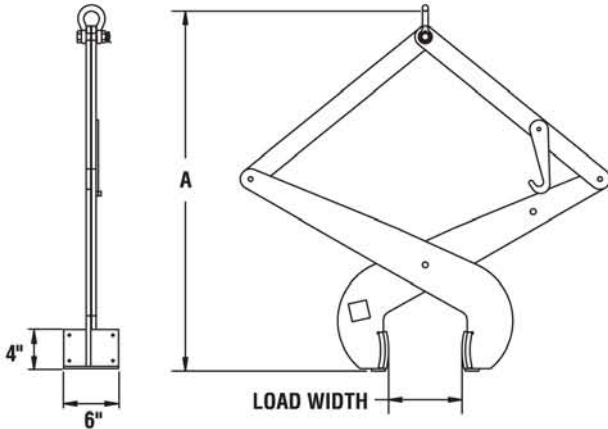


IN-STOCK PROGRAM

PRODUCT FEATURES:

- Designed for lifting heavy slabs of concrete, stone or highly polished metal that must be protected from scratching or marring.
- Can be used in construction work to position slabs.
- The curved pads give proper contact for gripping smooth surfaces and handling a large range of sizes.
- Urethane gripping surfaces are standard.
- Semi-automatic latch is standard and serves as an aid in positioning the tongs for picking up the load.
- Designed and manufactured to ASME B30.20.

3-1/4 Ton SHACKLE



SPECIFICATIONS

Model Number	Rated Capacity (lbs.)	Load Width (in.)	Dim. A (in.)	Weight (lbs.)
71 - 1	1,000	6 to 10	39	75
71 - 2	1,500	8 to 12	39	85
71 - 3	1,500	10 to 14	40	145
71 - 4	1,500	14 to 18	44	145
71 - 5	1,500	18 to 22	55	150

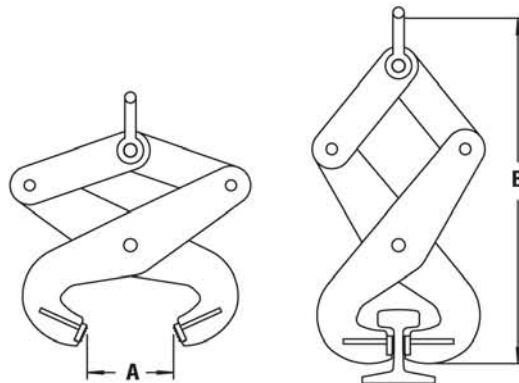
Model RLT - Rail Tongs



IN-STOCK PROGRAM

PRODUCT FEATURES:

- Rail Tongs are designed to handle all standard size rails.
- Tongs are provided with non-slip machined diamond face gripping pad.
- Load must be balanced and controlled when lifting.
- Designed and manufactured to ASME B30.20.



SPECIFICATIONS

Model Number	Rated Capacity in Tons	A (in.)	B (in.)	Weight (lbs.)
109 - 1	1	3	18	15
109 - 2	2	5	20	18



Distributed By
McLaughlin Hoist & Crane
1850 Larkin Williams Rd.
Fenton, MO 63026
(636) 343-9700
www.slcrane.com

Rig-Master® Section
Master Catalog MC-607

Grabs & Tongs



The Caldwell Group

Model VDG - Vertical Drum Grab



PRODUCT FEATURES:

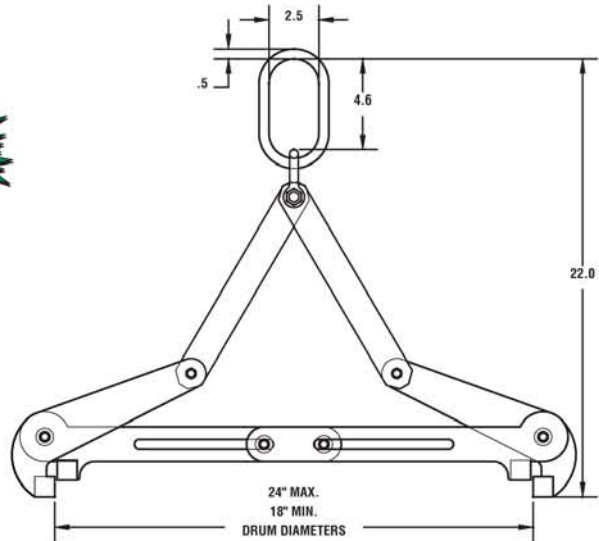
- This vertical drum grab is ideal for handling closed or open steel drums.
- No fasteners, binders, or rings to put around drum.
- Grab allows drums to be closely stored maximizing floor space.
- Grab will not damage drum.
- Designed and manufactured to ASME B30.20

IN-STOCK PROGRAM

SPECIFICATIONS

Model Number	Rated Capacity in Tons	Weight (lbs.)
150 - 1	1	19

WARNING
Do not use for pouring or tilting drum.



Operation



1. Lower grab on to top of drum.



2. Grab takes hold under rim. (Not automatic)



3. Lift drum.



Distributed By
MC1, Laughlin Hoist & Crane
 1850 Larkin Williams Rd.
 Ferron, MO 63026
 (636) 343-9700
 www.stlcrane.com

Rig-Master® Section
 Master Catalog MC-607