

Sheet Lifters



The Caldwell Group

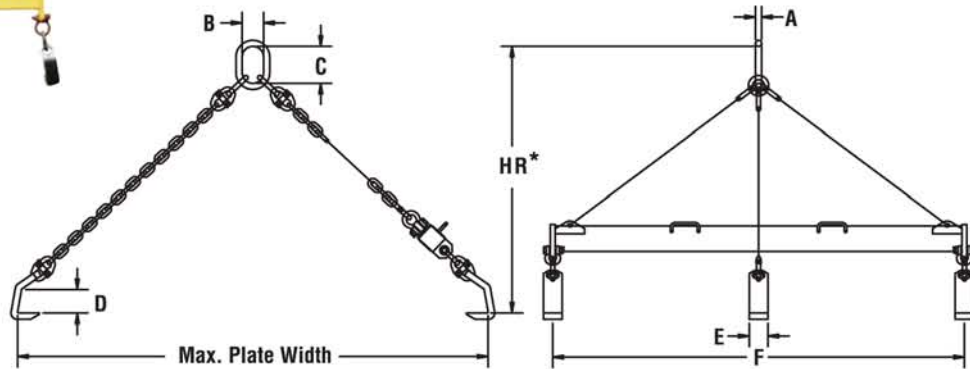
Model PL - Plate Lifters

The Strong-Bac® Plate Lifter provides a quick and easy solution for handling thick plates, one at a time. Simply position the Plate Lifter over your load, check to see that the hooks are engaged and lift.



PRODUCT FEATURES:

- Rugged-chain rigging.
- Heavy duty plate hooks.
- Design allows for easier crane alignment.
- Steel spreader stabilizes two hooks.
- Complies with ASME standards.



SPECIFICATIONS

Model Number	Rated Capacity (tons)	Dimensions (inches)							Max. Plate Width (in.)	Weight (lbs.)
		A	B	C	D	E	F	HR		
PL-5	5	1	3.5	6	3	2.3	84	58	96	185
PL-10	10	1.25	4.38	7.5	5	3.8	84	58	96	320

* Headroom at maximum plate width.

Operation



Distributed By
 McLaughlin Hoist & Crane
 1850 Larkin Williams Rd.
 Fenton, MO 63026
 (636) 343-9700
 www.slcrane.com

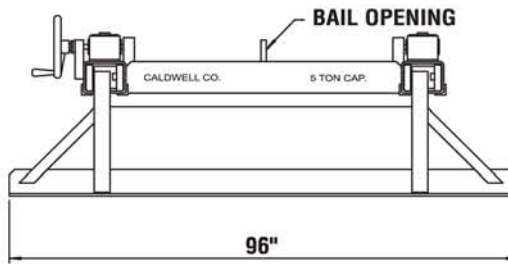
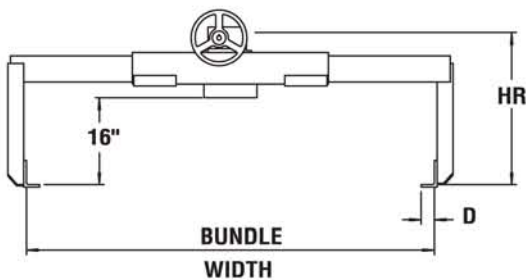
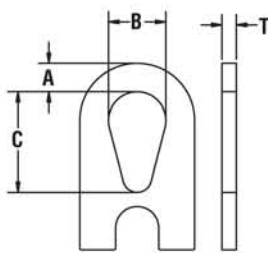
Strong-Bac® Section
 2009-2010 Master Catalog

Sheet Lifters

Model 60 - Heavy Duty Sheet Lifters



Bail Opening



PRODUCT FEATURES:

- Versatile handling of bundles, sheets, plates and other materials stacked horizontally.
- Low headroom design for optimum lifting capabilities.
- One person operation minimizes handling cost.
- Self-locking worm gear drive for leg adjustment is standard.
- Easy adjustment for different sheet widths.
- Rack and pinion leg drive.
- Designed for ease of maintenance.
- Designed for greater sheet width range.
- Complies with ASME standards.

PRODUCT OPTIONS:

- Hand wheel lockout.
- Motorized leg adjustment.
- Chain-wheel leg adjustment.
- Extended length hand wheel leg adjustment.
- End chains with plate hooks (recommended for all widths 72" and greater).
- Extended grab shoe lengths available.
- Additional bundle clearance available (longer legs).

SPECIFICATIONS

Model Number	Capacity (tons)	Dimensions (inches)									Weight (lbs.)	
		Bundle Width		HR Headroom	Shoe D	Min. Aisle	Bail Opening					
		Min.	Max.				A	B	C	T		
60-3-48	3	16	48	28	2.63	9	1.5	3	5	.75	920	
60-3-60		16	60									950
60-3-72		16	72									980
60-5-48	5	16	48	29	2.63	9	2	4	6	1	1125	
60-5-60		16	60								1170	
60-5-72		16	72								1220	
60-5-84		16	84								1270	
60-5-96		16	96								1550	
60-10-48		10	16								48	30
60-10-60	16		60	1570								
60-10-72	16		72	1640								
60-10-84	16		84	1700								
60-10-96	16		96	1770								
60-15-48	15	16	48	32	3.5	12	2.5	5	9	1.5	1570	
60-15-60		16	60								1640	
60-15-72		16	72								1700	
60-15-84		38	84								1960	
60-15-96		38	96								2030	

Other sizes available, consult factory.



The Caldwell Group



Distributed By
 1850 Larkin Williams Rd.
 Fenton, MO 63026
 (636) 343-9700
 www.slcrane.com

Strong-Bac® Section
 2009-2010 Master Catalog

Sheet Lifters



The Caldwell Group

Model 62 - Small Bundle Sheet Lifter

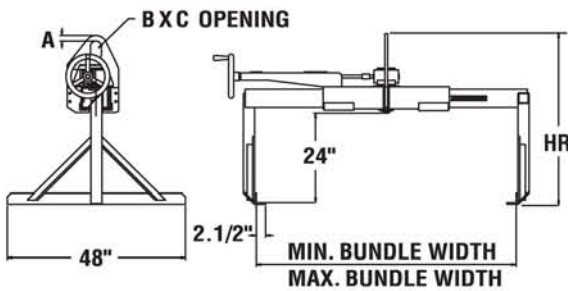


PRODUCT FEATURES:

- Standard light duty unit for handling smaller size sheets and bundles.
- Size and versatility allows for handling of crates, bins and other smaller size containers.
- Side oriented extended length hand wheel adjustment standard.
- Self locking worm gear leg drive system.
- Complies with ASME standards.

SPECIFICATIONS

Model Number	Capacity (tons)	Dimensions (inches)							Weight (lbs.)
		Bundle Width		Min. Aisle	A	B	C	HR Headroom	
		Min.	Max.						
62-1 1/2-36	1-1/2	12	36	8	1-1/2	3	8	42	512
62-1 1/2-48	1-1/2	16	48	8	1-1/2	3	8	42	525
62-3-48	3	16	48	8	1-1/2	5	8	44	670
62-3-60	3	20	60	8	1-1/2	5	8	44	736
62-5-48	5	16	48	8	2	7	8	52	750
62-5-60	5	20	60	8	2	7	8	52	763



WARNING
Do not lift loosely bundled, thin or oily sheets.

Model 64 - Standard Duty Sheet Lifter

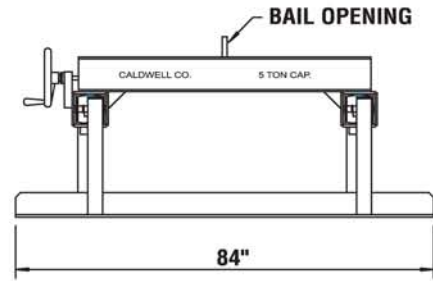
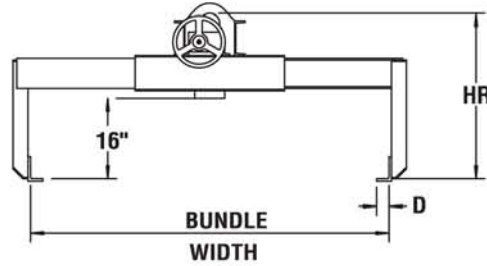
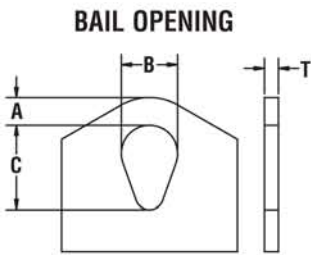


PRODUCT FEATURES:

- Lightweight.
- Channel steel construction.
- 84" grab shoe length.
- Complies with ASME standards.



Distributed By
McLaughlin Hoist & Crane
1850 Larkin Williams Rd.
Fenton, MO 63026
(636)343-9700
www.sllcrane.com



SPECIFICATIONS

Model Number	Capacity (tons)	Dimensions (inches)									Weight (lbs.)
		Bundle Width		HR Headroom	Shoe D	Min. Aisle	Bail Opening				
		Min.	Max.				A	B	C	T	
64-2-36	2	15	36	29	2-1/2	8	1-1/2	3	5	3/4	510
64-2-48		20	48								
64-2-60		24	60								
64-5-48	5	20	48	32	2-5/8	8	2	4	6	1	670
64-5-60		24	60								
64-5-72		30	72								
64-7 1/2-48	7-1/2	20	48	34	2-1/2	10	2	4	6	1	840
64-7 1/2-60		24	60								
64-7 1/2-72		30	72								

WARNING
Do not lift loosely bundled, thin or oily sheets.

Other sizes available, consult factory.



Sheet Lifter - Application Evaluation

BUNDLE INFORMATION:

Bundle Dimensions:

Minimum: Length _____ Width _____ Height _____ Weight _____

Maximum: Length _____ Width _____ Height _____ Weight _____

Specify material being lifted: _____

Is the bundle palletized? Yes No If yes, specify pallet size: _____

Sheet Condition: Dry Oily Banded Loose

ADDITIONAL INFORMATION:

Please provide the model and/or serial number if this is to replace an existing Caldwell lifter: _____

Operation Required Motorized Manual

If motorized, please specify DC AC Voltage _____ Phase _____ Cycle _____

Pendant Required Yes No

Should the controls be shipped loose for field mounting? Yes No

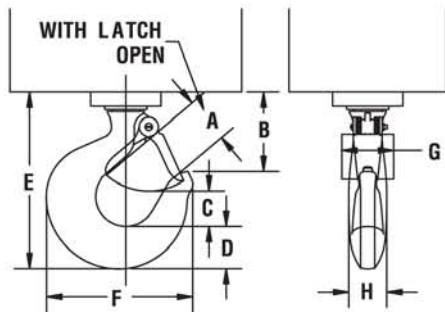
Please provide duty cycle of lifter (lifts per hour and hours per day used): _____

Please provide Crane Classification (A, B, C, D, E, F): _____

Please use the space below to provide additional application information or options required.

For example: headroom issues, space restrictions, lifter restrictions or options such as a chainwheel or end chains.

CRANE HOOK DATA:



- INCHES
- A _____ +0
 - B _____ +0
 - C _____ +0
 - D _____ -0
 - E _____ -0
 - F _____ +/-
 - G _____ -0
 - H _____ -0

Contact: _____

Company: _____

Address: _____

City, State, Zip: _____

Phone: _____

Fax: _____

Email: _____

Measurement Tolerances

- +0 = Measurement should be no larger but can be smaller than actual.
- 0 = Measurement should be no smaller but can be larger than actual.
- +/- = Measurement can be larger or smaller than actual.

McLaughlin Hoist & Crane
Authorized Sales & Service
(636) 343-9700
FAX: (363) 343-0840
www.sflcrane.com