

THE POSI-TURNER®

**NEW
PRODUCT**



**The New
Posi-Lite™ Beam
suspends and rotates loads
up to 1,500 lbs. with controlled rotation**

The Posi-Lite™ is the newest addition to the broad sweeping Posi-Turner® line. The Posi-Turner® legacy extends over a quarter century with standard designs and capacities up to 110,000 pounds. There are custom designed Posi-Turner® units in the field with capacities in excess of 100 tons!

Distributed By
McLaughlin Hoist & Crane
1850 Larkin Williams Rd.
Fenton, MO 63026
(636)343-9700
www.stlcrane.com



What the Posi-Lite™ does for you

Benefits

- Rotates and positions your product efficiently
- Reduces the possibility of product damage
- Promotes safety
- Lightweight in design
- Saves time and money

Leveling

With the push of a button, the Leveler — available with the LS Model — adjusts the center of gravity under the hook to balance the load. Leveling uneven loads while suspended (as seen here) saves valuable time and promotes a safer work environment.



Rotating

As this series of photos illustrates, rotation with the Posi-Lite is efficient and damage free. After leveling the load, the Posi-Lite suspends and rotates objects 360-plus degrees with precise control.

Posi-Lite™ Features

FS Model

- Fixed lift eye (or fork pockets)
- Heavy duty nonslip surface on drum
- Direct drive gear reducer
- Designed and manufactured to ASME B30.20
- Torque rated for capacity

LS Model — *All of the above, plus:*

- Optional powered load leveling



Options

Sling Guide – Keeps the sling in the same position on the roller at all times.

Power Cord Reel – Retractable drop cord keeps electrical wires out of the way of the load.

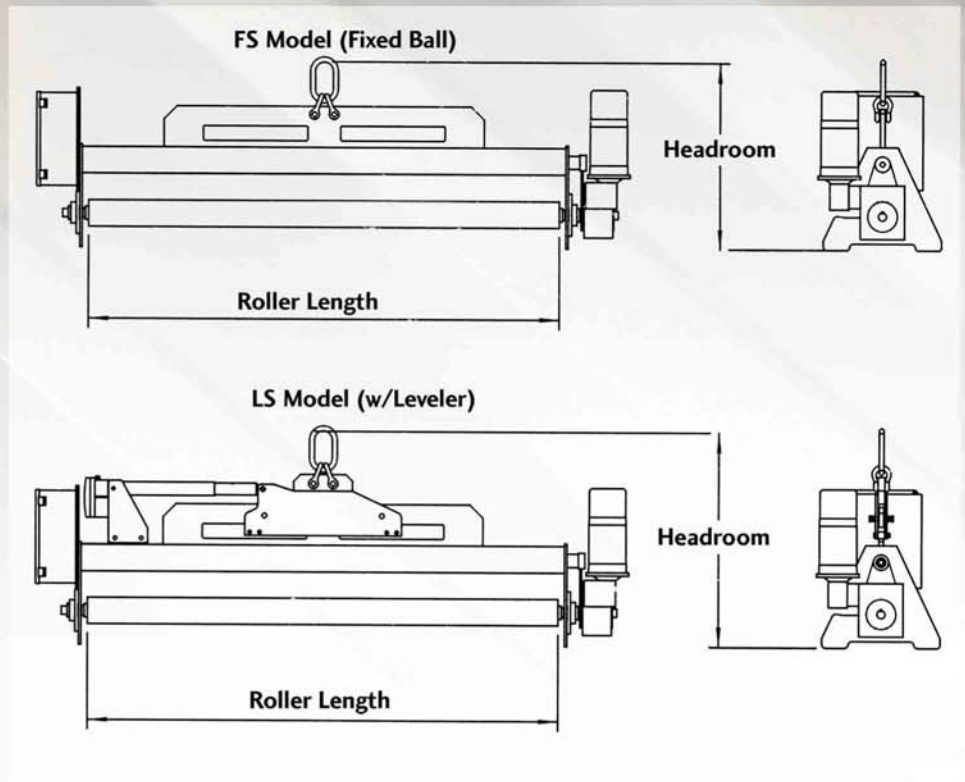
Remote Control – Replaces pendant control and cord when operator needs to be away from the load.

Steel Mesh Slings – For welding applications or when load is over 150° F.

**Metal Fabrication ... Die Handling ... Welding ...
Aircraft Components ... the applications are endless.**
**If it needs to be fabricated, welded, inspected or repaired,
Posi-Lite™ can handle it — positively!**

Posi-Lite™

For a **Posi-Turner®**
Application Evaluation,
 visit www.positurner.com
 or call Caldwell
 Customer Service today
 at 1-800-243-1053.



Rated Cap. (lbs.)	Roller Length (in.)	FS Model Rotating Only			LS Model Rotating & Leveling		
		Model No.	HDRM	WGT	Model No.	HDRM	WGT
500	72	.5FS-72	14.5	220	.5LS-72	19.1	270
1000	48	1FS-48	14.5	200	1LS-48	19.1	250
1500	72	1.5FS-72	28	365	1.5LS-72	32.5	420
1500	84	1.5FS-84	28	400	1.5LS-84	32.5	455
1500	96	1.5FS-96	28	430	1.5LS-96	32.5	480
1500	108	1.5FS-108	28	455	1.5LS-108	32.5	510
1500	120	1.5FS-120	28	480	1.5LS-120	32.5	535

Application Evaluation required; consult factory for additional information.

©Copyright 2003, The Caldwell Group Inc.



THE CALDWELL GROUP, INC.

5055 26th Avenue • Rockford, Illinois 61109
 Phone: 815-229-5667 • Fax: 815-229-5686
 Toll Free: 800-628-4263
www.positurner.com • www.caldwellinc.com

Designers and Manufacturers of Fine Lifting Products



Distributed by:

