

Rotating Crane Hooks

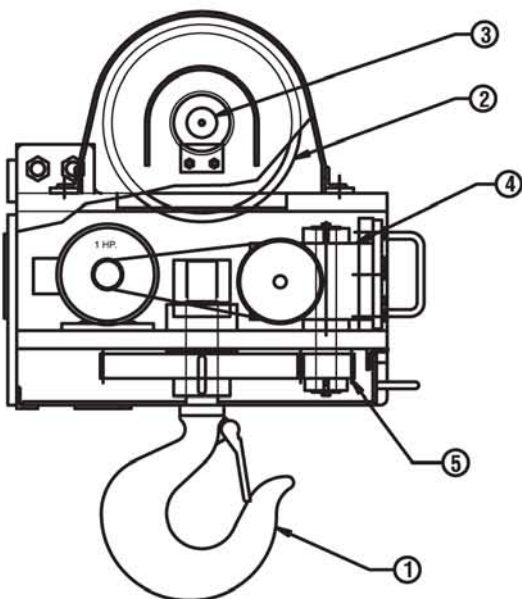
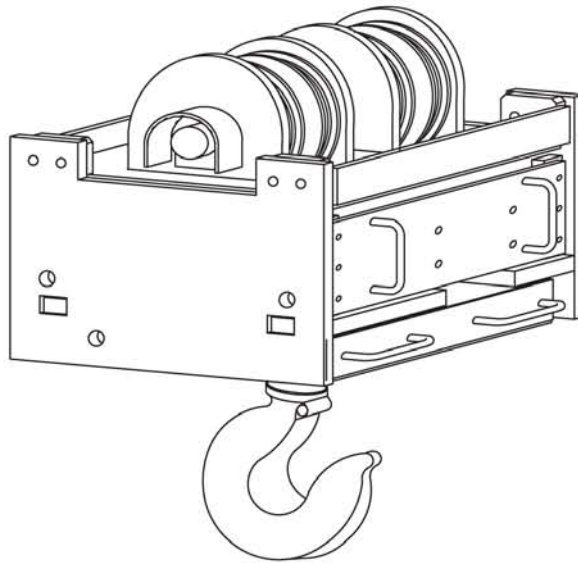
Model 50 - Motorized Rotating Crane Hook



Shown with optional load scale.

PRODUCT FEATURES:

- Custom designed to fit your applications.
- Allows for independent and precise position of load.
- Full 360° rotation @ 1-1/2 RPM.
- Controls feature soft-starting capability.
- Designed to operate on either direct or alternating power supply.



STANDARD DESIGN FEATURES:

1. Heat treated forged steel hook with latch.
2. Forged steel sheaves with hardened rope grooves.
3. Tapered roller bearings with grease fittings.
4. Heavy duty worm gear reducer.
5. Direct spur gear drive.
6. Easy access for maintenance.
7. Controls include starter with overload, VFD (variable frequency drive) NEMA - 12 enclosure and pigtail.



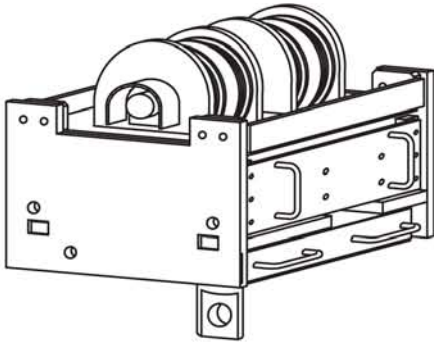
The Caldwell Group



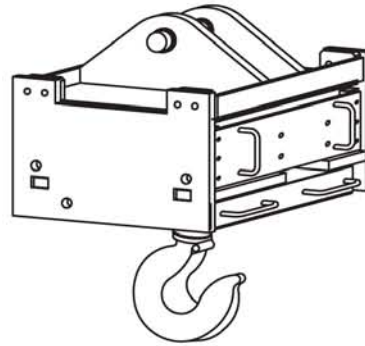
Strong-Bac® Section
2009-2010 Master Catalog

Rotating Crane Hooks

Clevis Style

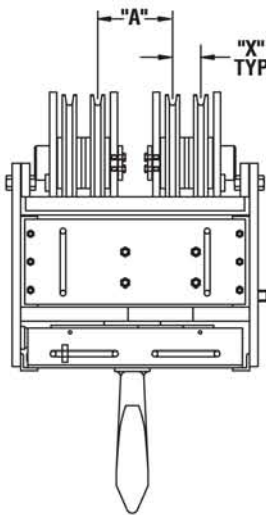


Pin Bail



Model 50 - Application Evaluation

1. CMAA Crane Duty Class: _____
2. Capacity of crane: _____
3. Number of sheaves: _____
4. Sheave diameter: _____
5. Sheave spacing (A): _____ (X): _____
6. Type of sheave bearings: _____
7. Wire rope diameter: _____
8. Maximum degree of rotation required: _____
9. Will a motorized grab be suspended from the hook?
 Yes No



9. Operating voltage: _____
10. Describe load to be rotated:
 - a. Weight _____
 - b. Length _____
 - c. Width _____
 - d. Height _____
 - e. Shape _____
11. Will hook be outdoors?
 Yes No
12. Operation controlled from:
 Cab Pendant Remote
13. Load scale required? Yes No
 Describe requirements: _____

14. Options required: _____

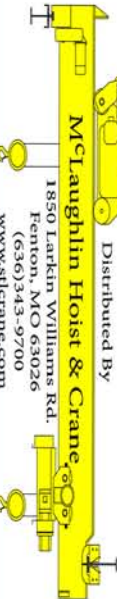
Contact: _____
 Company: _____
 Address: _____
 City, State, Zip: _____
 Phone: _____
 Fax: _____
 Email: _____

McLaughlin Hoist & Crane
 Authorized Sales & Service

(636) 343-9700
FAX: (363) 343-0840
www.sflcrane.com



The Caldwell Group



Strong-Bac® Section
 2009-2010 Master Catalog