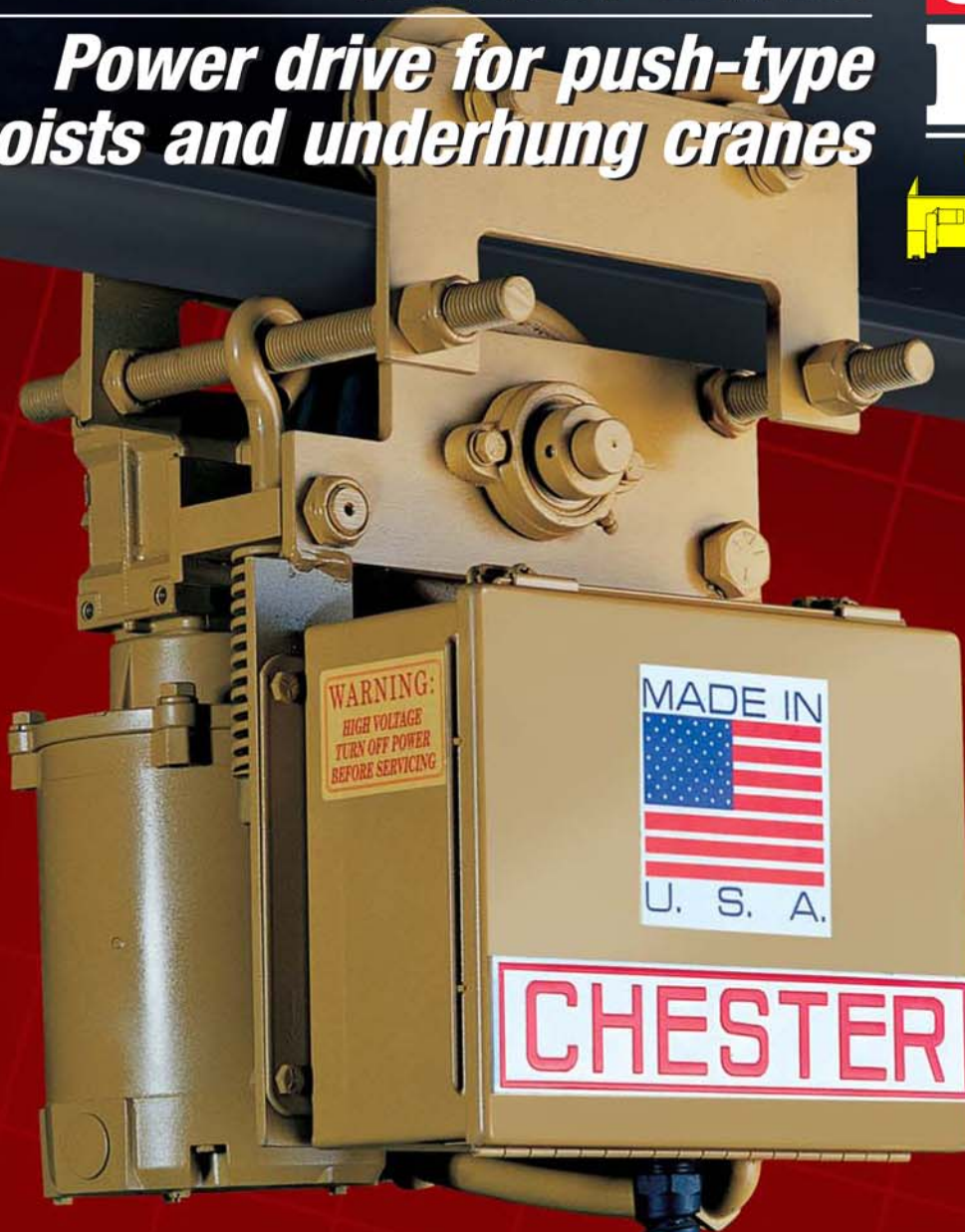


# Tractor Drive

*Power drive for push-type hoists and underhung cranes*

# CHESTER HOIST

Distributed By  
**McLaughlin Hoist & Crane**  
1850 Larkin Williams Rd.  
Fenton, MO 63026  
(636)343-9700  
[www.stlcrane.com](http://www.stlcrane.com)



**C**hester Tractor Drives deliver greater productivity with existing push-type underhung crane bridges or push-type monorail hoists with motor-driven travel. Designed for capacities up to 5 tons, Chester Tractor Drives are easy to install without removing or disturbing existing equipment.

## ***For underhung crane bridges***

Designed to accommodate any make unit, twin tractor units of the same design as the single-unit tractor can be used to convert push-type crane bridges to electric drive. The twin-unit synchronized Chester Tractor Drives are wired into a universal electrical control panel located on the master tractor to provide simultaneous operation.

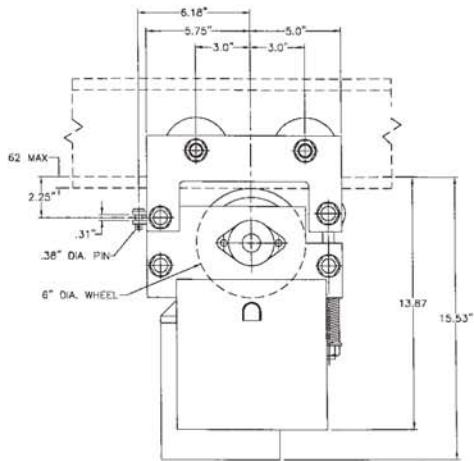
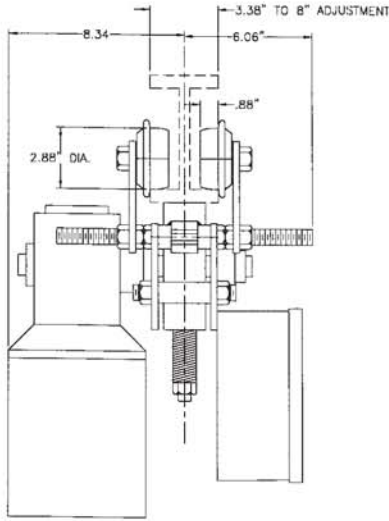
## ***For monorail trolley suspended hoists***

This single, powerful, electrically motorized tractor provides fast horizontal travel while minimizing worker fatigue. A squirrel cage electric motor with torque multiplied by a heavy-duty gear reducer drives a urethane drive wheel. The drive wheel engages the underside of the monorail track, providing positive power drive.



# Specifications

## Chester Tractor Drive



### Motor

1/2 hp @ 1800 rpm (1/4 hp @ 900 rpm for 35 fpm)  
Squirrel cage motor with permanently lubricated bearings. Standard NEMA C face 30 minute motor with Class F insulation.

### Drive

Direct drive with right-angle worm gear reducer. Fully enclosed housing for lubrication of gears and bearings.

### Drive wheel

Drive wheel is 6" diameter, 2" wide with cast iron hub and a urethane thread. Wheel is spring loaded against the bottom of the beam for positive traction.

### Construction

Steel plate construction with tierods for easy flange adjustment. Steel clevis with a 3/8" diameter pin is provided for towbar attachment.

### Trolley wheels

Cast iron fully machined wheels with universal tread for operation on tapered or flat-flange beams. Each wheel has two permanently lubricated sealed ball bearings.

### Beam adjustment range

Standard unit is adjustable for standard I-beams and flat-flange beams from 3.38" to 8" wide. Maximum flange thickness for standard unit is .62". Minimum curve for standard unit is 36" radius (with flangeless wheel and guide roller option).

### Controls

Magnetic reversing contactor with mechanical inter lock enclosed in a NEMA 1 enclosure with a terminal strip for control connections. Standard tractor is designed for 208-230 or 460 volt, 3 phase, 60 hertz supply. See options for other power supplies.

### Standard finish

Air-dry machinery enamel.

### Options

- 575 volt, 3 phase, 60 hertz operation.
- 2 button push-button station.
- 4 button push-button station.
- 6 button push-button station.
- 8 button push-button station.
- Additional push-button cable length. (10' standard)
- NEMA 12, 4 or 4X control enclosures.
- Motor brake.
- Soft start. (Recommended for speeds above 70 fpm)
- Two-speed or variable controls.
- Transformer for 115 volt control power.
- For other beams, options or custom designs, consult factory.

CAPACITY (Pounds)	SPEED (fpm)	CHESTER CAT. NO.
2000	35	TD-235
2000	55	TD-255
2000	70	TD-270
2000	105	TD-2105
3000	35	TD-335
3000	55	TD-355
3000	70	TD-370
3000	105	TD-3105
5000	35	TD-535
5000	55	TD-555
5000	70	TD-570
6000	35	TD-635
6000	55	TD-655
10,000	35	TD-1035

**CHESTER**  
**HOIST**