

The equipment illustrated and described in this bulletin is designed for manual operation only and is not to be power driven, nor is it suitable for lifting people.

IMPORTANT

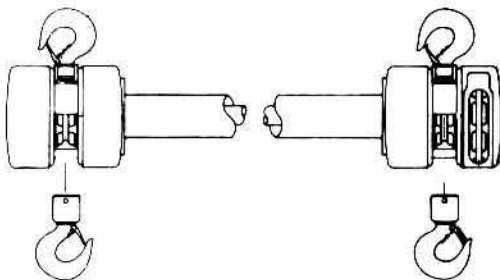
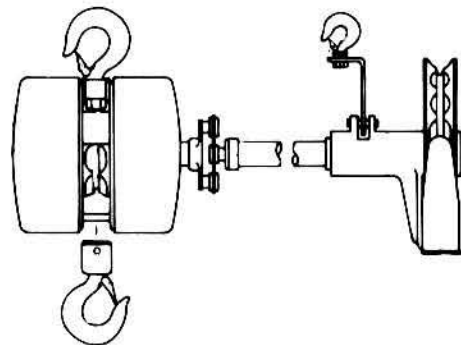
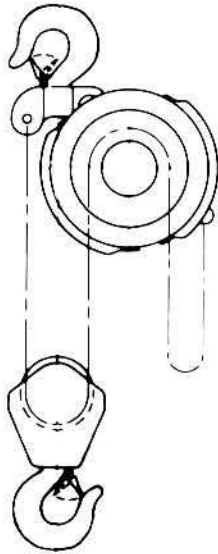
**Keep
for Future
Reference**

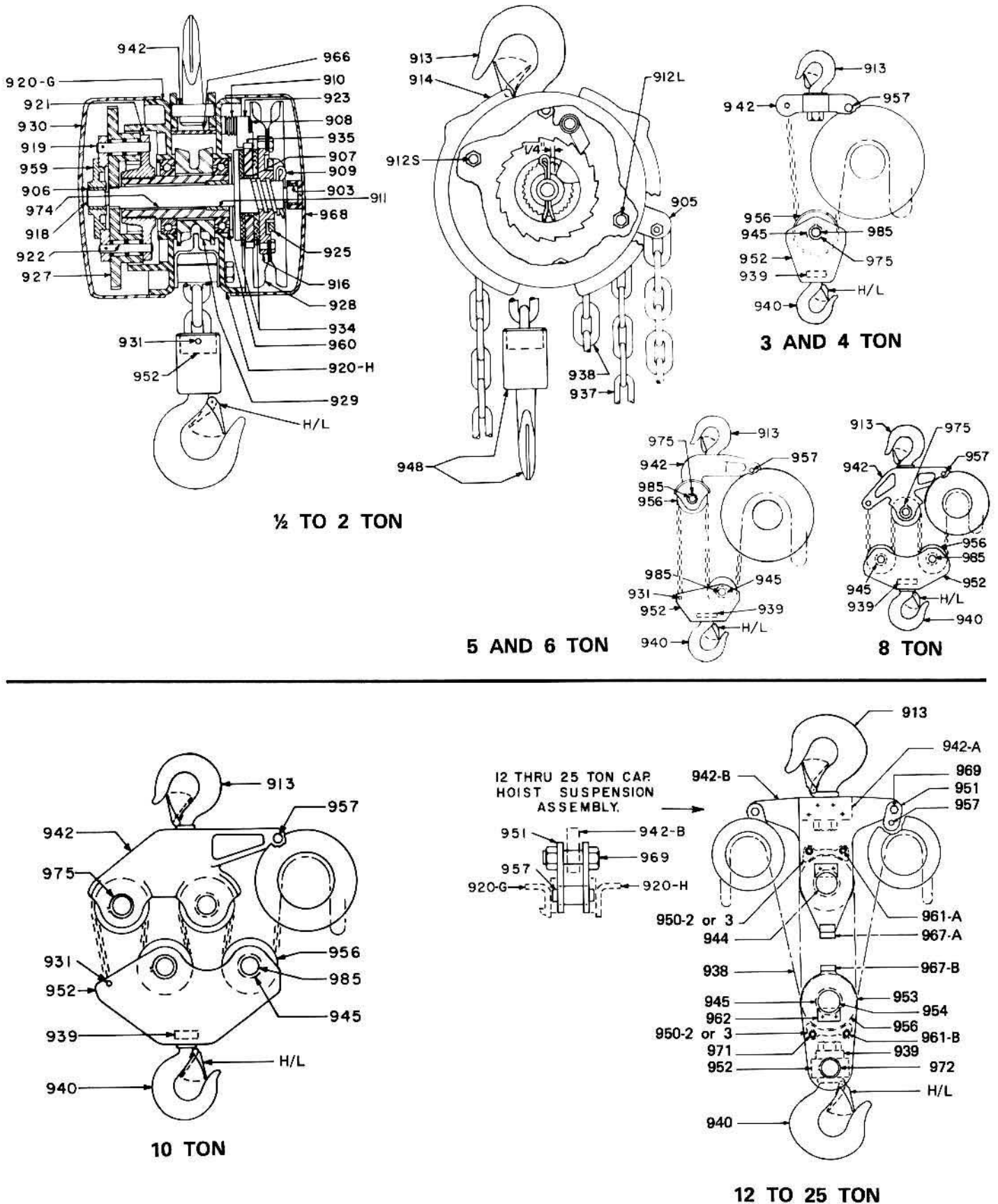
PZ482

Service Instructions and Parts List

Zephyr

SPUR GEARED HOIST, EXTENDED HANDWHEEL HOIST, and TWIN HOOK HOIST

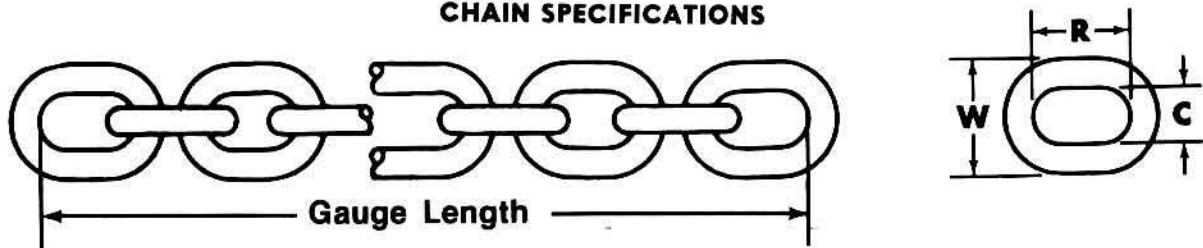




PART NO.	DESCRIPTION	QUANTITIES PER CAPACITY IN TONS												
		1/4 & 1/2	1	1 1/2	2	3	4	5 & 6	8	10	12	16	20	25
903	Bronze Bushing in Handwheel Cover	1	1	1	1	1	1	1	1	1	2	2	2	2
905	Load Chain Guide	1	1	1	1	1	1	1	1	1	2	2	2	2
906	Bronze Bushing for 959	1	1	1	1	1	1	1	1	1	2	2	2	2
907	Ratchet Bushing for 935	1	1	1	1	1	1	1	1	1	2	2	2	2
908	Pawl Snap Ring	1	1	1	1	1	1	1	1	1	2	2	2	2
909	Cotter Pin	1	1	1	1	1	1	1	1	1	2	2	2	2
910	Pawl Spring	1	1	1	1	1	1	1	1	1	2	2	2	2
911	Bronze Bushing for 974	1	1	1	1	1	1	1	1	1	2	2	2	2
912L	Large Separator Stud	1	1	1	1	1	1	1	1	1	1	1	1	1
912S	Small Separator Stud	1	1	3	3	3	3	3	3	3	3	3	3	3
913	Top Hook & Nut	1	1	1	1	1	1	1	1	1	1	1	1	1
914	Hand Chain Guide	2	2	2	2	2	2	2	2	2	4	4	4	4
916	Handwheel Treaded Insert	1	1	1	1	1	1	1	1	1	2	2	2	2
918	Spindle	1	1	1	1	1	1	1	1	1	2	2	2	2
919	Gear & Pinion Shaft	1	2	2	2	2	2	2	2	2	4	4	4	4
920G	Internal Gear Frame	1	1	1	1	1	1	1	1	1	2	2	2	2
920H	Handwheel Side Frame	1	1	1	1	1	1	1	1	1	2	2	2	2
921	Pinion Cage	1	1	1	1	1	1	1	1	1	2	2	2	2
922	Needle Bearings for Gear & Pinion	2	4	4	4	4	4	4	4	4	8	8	8	8
923	Pawl	1	1	1	1	1	1	1	1	1	2	2	2	2
925	Adjustable Check Ring	1	1	1	1	1	1	1	1	1	2	2	2	2
927	Gear & Pinion	1	2	2	2	2	2	2	2	2	4	4	4	4
928	Handwheel	1	1	1	1	1	1	1	1	1	2	2	2	2
929	Load Sheave	1	1	1	1	1	1	1	1	1	2	2	2	2
930	Gear Cover	1	1	1	1	1	1	1	1	1	2	2	2	2
931	Drive Pin	1	1	1	1	1	1	1	1	1	1	1	1	1
934	Brake Disc, Per/Pair	1	1	1	1	1	1	1	1	1	2	2	2	2
935	Ratchet with 907 Bushing	1	1	1	1	1	1	1	1	1	2	2	2	2
937	Hand Chain	1	1	1	1	1	1	1	1	1	2	2	2	2
938	Load Chain	1	1	1	1	1	1	1	1	1	1	1	1	1
939	Thrust Bearing	1	1	1	1	1	1	1	1	1	1	1	1	1
940	Bottom Hook & Nut	1	1	1	1	1	1	1	1	1	1	1	1	1
H/L	Hook Latch	2	2	2	2	2	2	2	2	2	2	2	2	2
942	Top Hook Crosshead or Yoke	1	1	1	1	1	1	1	1	1	1	1	1	1
942A	Top Yoke Block	1	1	1	1	1	1	1	1	1	1	1	1	1
942B	Top Yoke Side Plate	1	1	1	1	1	1	1	1	1	1	1	1	1
944	Top Sheave Pin	1	1	1	1	1	1	1	1	1	1	1	1	1
945	Idler Sheave Bearing	1	1	1	1	1	1	2	3	4	5	7	9	11
948	Bottom Hook Assembly	1	1	1	1	1	1	1	1	1	1	1	1	1
950-2	Top or Bottom Chain Guide - 2 Grooves	1	1	1	1	1	1	1	1	1	1	1	1	1
950-3	Top or Bottom Chain Guide - 3 Grooves	1	1	1	1	1	1	1	1	1	1	1	1	1
951	Hoist Clevis	1	1	1	1	1	1	1	1	1	4	4	4	4
952	Bottom Block or Crosshead	1	1	1	1	1	1	1	1	1	1	1	1	1
953	Bottom Block Side Plates	1	1	1	1	1	1	1	1	1	2	2	2	2
954	Bottom Sheave Pin	1	1	1	1	1	1	1	1	1	1	1	1	1
956	Top or Bottom Idler Sheave	1	1	1	1	1	1	2	3	4	5	7	9	11
957	Top Yoke Pin	1	1	1	1	1	1	1	1	1	2	2	2	2
959	Pinion Cage Bearing Block	1	1	1	1	1	1	1	1	1	2	2	2	2
960	Load Sheave Shaft Bearing	2	2	2	2	2	2	2	2	2	4	4	4	4
961A	Top Idler Guide Pin	1	1	1	1	1	1	1	1	1	2	2	2	2
961B	Bottom Idler Guide Pin	1	1	1	1	1	1	1	1	1	2	2	2	2
962	Top or Bottom Idler Axle Keeper	1	1	1	1	1	1	1	1	1	2	2	2	2
966	Load Sheave Shield	1	1	1	1	1	1	1	1	1	2	2	2	2
967A	Top Yoke Contact Bar	1	1	1	1	1	1	1	1	1	1	1	1	1
967B	Bottom Block Contact Bar	1	1	1	1	1	1	1	1	1	1	1	1	1
968	Handwheel Cover with 903 Bushing	1	1	1	1	1	1	1	1	1	2	2	2	2
969	Hoist Clevis Bolt & Nut	1	1	1	1	1	1	1	1	1	2	2	2	2
971	Top or Bottom Guide Pin Snap Ring	1	1	1	1	1	1	1	1	1	8	8	8	8
972	Bottom Crosshead (952) Snap Ring	1	1	1	1	1	1	1	1	1	2	2	2	2
974	Load Shaft, Splined	1	1	1	1	1	1	1	1	1	2	2	2	2
975	Snap Ring for 985 Sheave Axle	1	1	1	1	1	1	1	1	1	8	8	8	8
985	Top or Bottom Sheave Axle	1	1	1	1	1	1	2	3	4	1	1	1	1
998	SPECIAL FASTENERS (NOT SHOWN) Gear (930) & Handwheel (968) Cover Screw	8	8	8	8	8	8	8	8	8	16	16	16	16
999	Hand Chain Guide (914) Screw	8	8	8	8	8	8	8	8	8	16	16	16	16

PART PRICES ON REQUEST - CONTACT FACTORY.

CHAIN SPECIFICATIONS

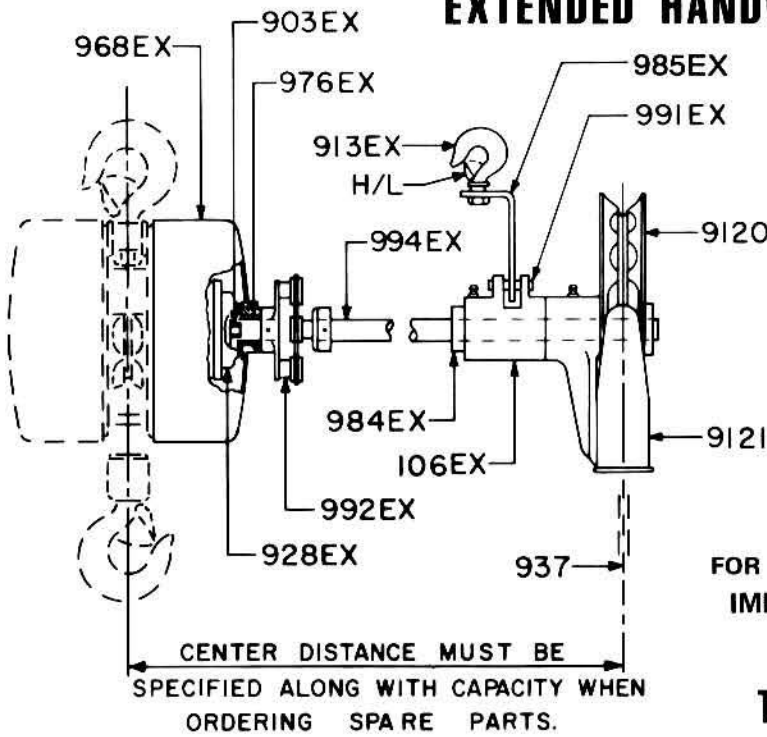


Use and Descriptions	Chain Size	C	W	R	Gauge Length	Net Weight
HAND CHAIN						
All Capacities	15/64"	.347	.878	1.056	19 links: 20.064'	.46 lbs., ft.
LOAN CHAINS						
1/4 - 1/2 ton	9/32"	.313	.876	.797	25 links: 19.925	.75 lbs., ft.
1 ton (Alloy)	9/32"	.313	.876	.797	25 links: 19.925	.75 lbs., ft.
1 1/2, 2, 3, 4, 5, 6, 8, 10 thru 25 ton	3/8"	.456	1.206	1.155	13 links: 15.015	1.23 lbs., ft.

CHESTER HOIST, INC. • PHONE (216) 424-7248 • FAX (216) 424-3126 • LISBON, OHIO, U.S.A. 44432

Authorized Sales & Service - McLaughlin Hoist & Crane - For Parts or Service Call (636) 343-9700

EXTENDED HANDWHEEL HOIST

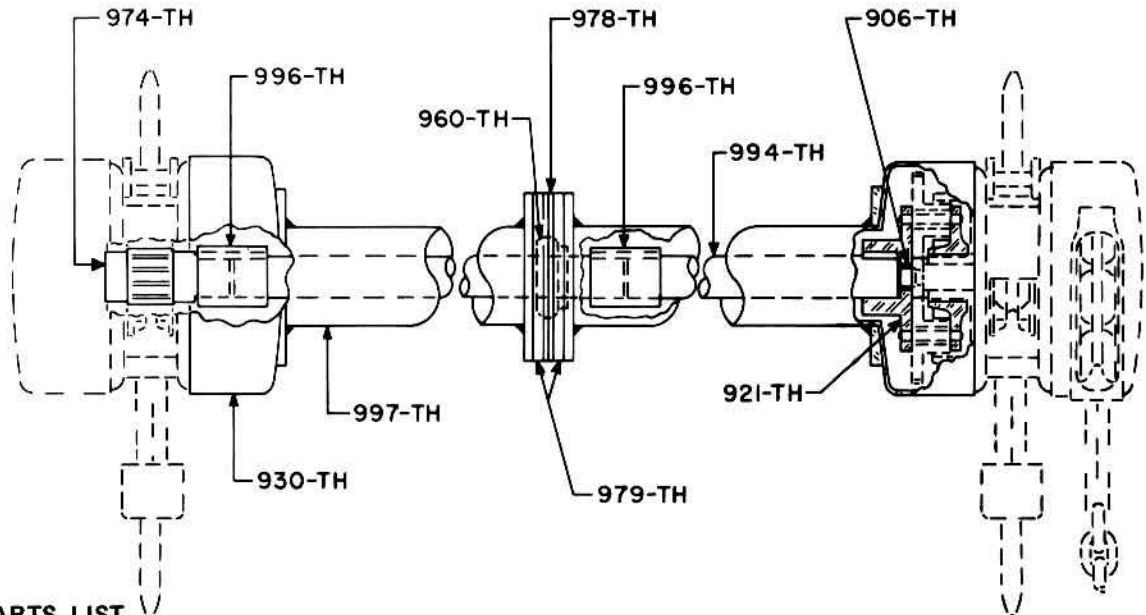


EXTENDED HANDWHEEL PARTS LIST

PART NO.	DESCRIPTION
106EX	Extension Support Casting
903EX	Bronze Bushing in Handwheel Spider ($\frac{1}{2}$ & 1 Ton Cap. - Only)
913 EX	Extension Hook with Nut
H/L	Hook Latch
928EX	Handwheel Spider with Bushing
937	Hand Chain
968 EX	Extended Handwheel Cover with Bushing
976EX	Bronze Bushing for Handwheel Cover
984EX	Locking Collar
991EX	Support Arm Bolt & Nut
992EX	Flexible Coupling Assembly
994EX	Drive Shaft
985EX	Extension Support Arm
9120	Handwheel with Set Screw & Key
9121	Handwheel Swinging Guard

FOR BALANCE OF HOIST PARTS SEE MAIN PARTS LIST.
IMPORTANT: SPECIFY HOIST SERIAL NUMBER WHEN ORDERING PARTS

TWIN HOOK HOIST



TWIN HOOK HOIST PARTS LIST

PART NO.	DESCRIPTION
906-TH	Bronze Bushing for 921-TH
921-TH	Pinion Cage with Key & 906-TH Bushing
930-TH	Flange Side Hoist Cover with 998 Cover Screws
974-TH	Dummy Load Shaft
994-TH	Drive Shaft
996-TH	Drive Shaft Coupling(s) with Key(s)
997-TH	Spacer Tube with Flanges & Fasteners
PARTS FOR UNITS WITH CENTER BEARING	
960-TH	Center Bearing with Locking Collar
978-TH	2 Pc. Center Bearing Pressed Steel Stamping
979-TH	Center Bearing Housing Spacer

**IMPORTANT:
SPECIFY HOIST SERIAL NUMBER
WHEN ORDERING PARTS**

PART PRICES ON REQUEST - CONTACT FACTORY.

FOR BALANCE OF HOIST PARTS SEE MAIN PARTS LIST.