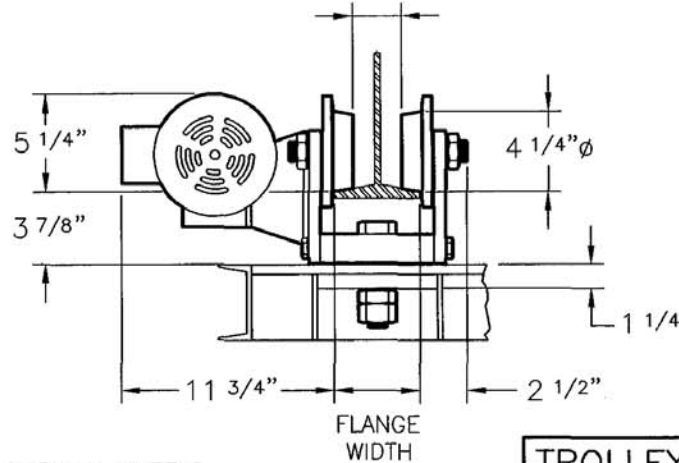


SPACE REQUIRED TO REMOVE BRAKE COVER

ALL DIMENSIONS ARE FOR REFERENCE ONLY AND SUBJECT TO CHANGE WITHOUT NOTICE

FLANGE WIDTH (LESS) * 2 1/8"



- TROLLEY FORWARD
 - TROLLEY REVERSE
 - HOIST UP
 - HOIST DOWN
- P.B. STATION (OPTIONAL)

FOR LETTER DESIGNATIONS - SEE CATALOG

SATURN 
OVERHEAD EQUIPMENT, LLC

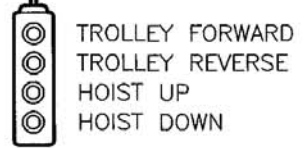
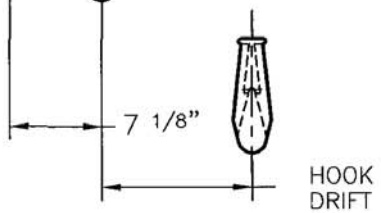
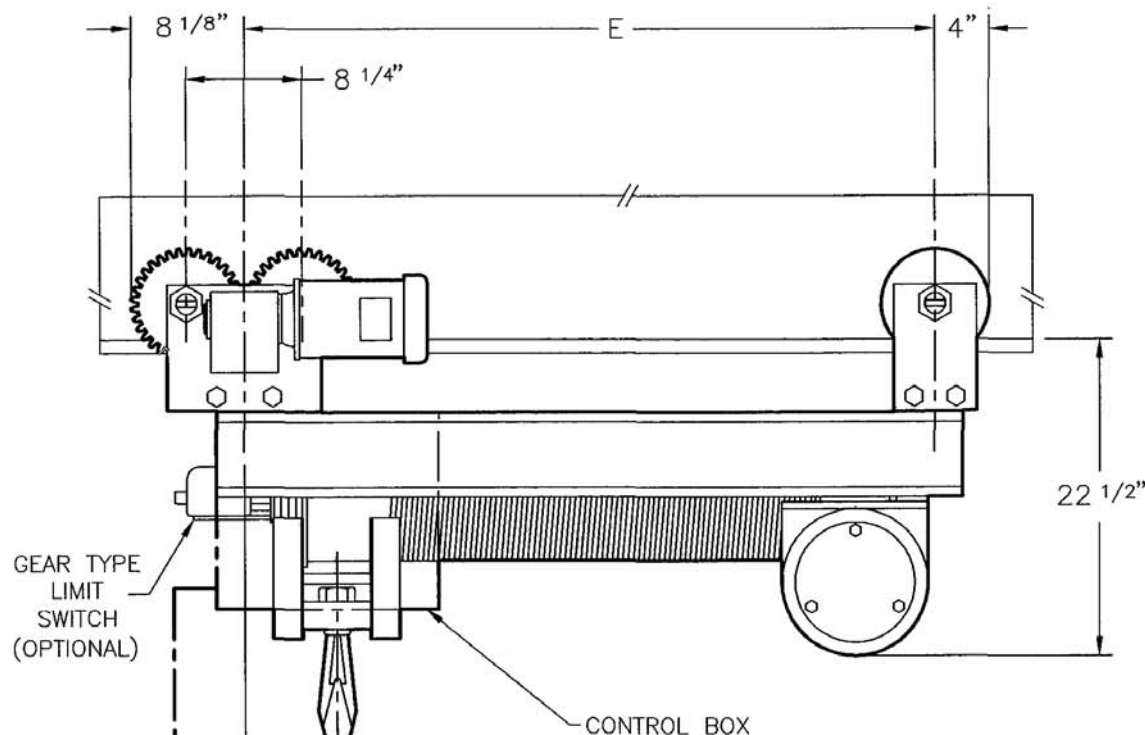
2 to 3 TON SEMI-LOW HEADROOM MONORAIL HOIST (ED TYPE)

CONTACT:
SMCLAUGHLIN HOIST & CRANE CO
Phone: (636) 343-9700 Sales@StlCrane.com
Fax: (636) 343-0840 www.StlCrane.com

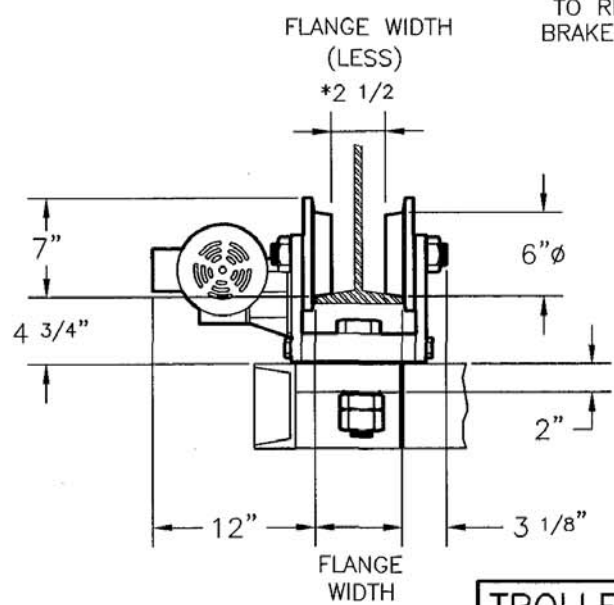
DRAWING NO.:
WB-17

* LESS 1 5/8" FOR PATENTED TRACK WITH NARROW WHEELS

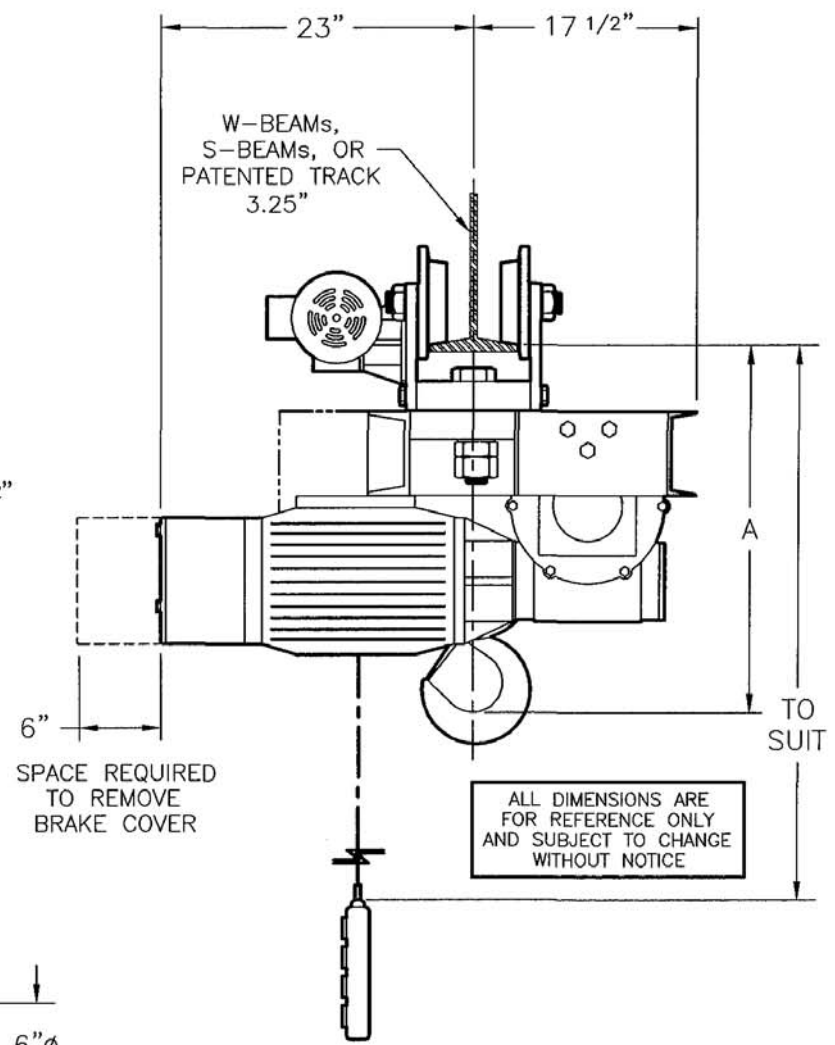
TROLLEYS



P.B. STATION (OPTIONAL)



TROLLEYS



ALL DIMENSIONS ARE FOR REFERENCE ONLY AND SUBJECT TO CHANGE WITHOUT NOTICE

FOR LETTER DESIGNATIONS - SEE CATALOG

SATURN
OVERHEAD EQUIPMENT, LLC

4 to 5-TON SEMI-LOW HEADROOM MONORAIL HOIST (FD-TYPE)

CONTACT:
McLAUGHLIN HOIST & CRANE CO
Phone: (636) 343-9700 Sales@StlCrane.com
Fax: (636) 343-0840 www.StlCrane.com

DRAWING NO.:
WB-19

* LESS 1 5/8" FOR PATENTED TRACK WITH NARROW WHEELS