

ALL DIMENSIONS ARE FOR REFERENCE ONLY AND SUBJECT TO CHANGE WITHOUT NOTICE

FOR LETTER DESIGNATIONS - SEE CATALOG

**SATURN**  
OVERHEAD EQUIPMENT, LLC

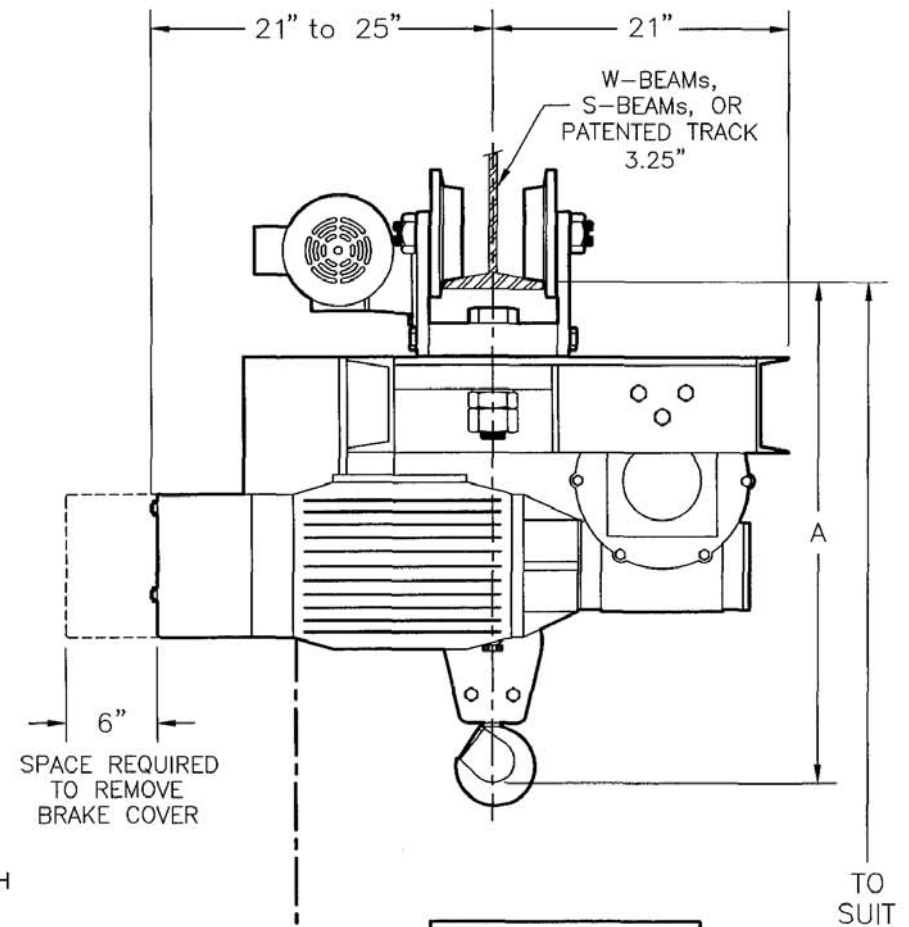
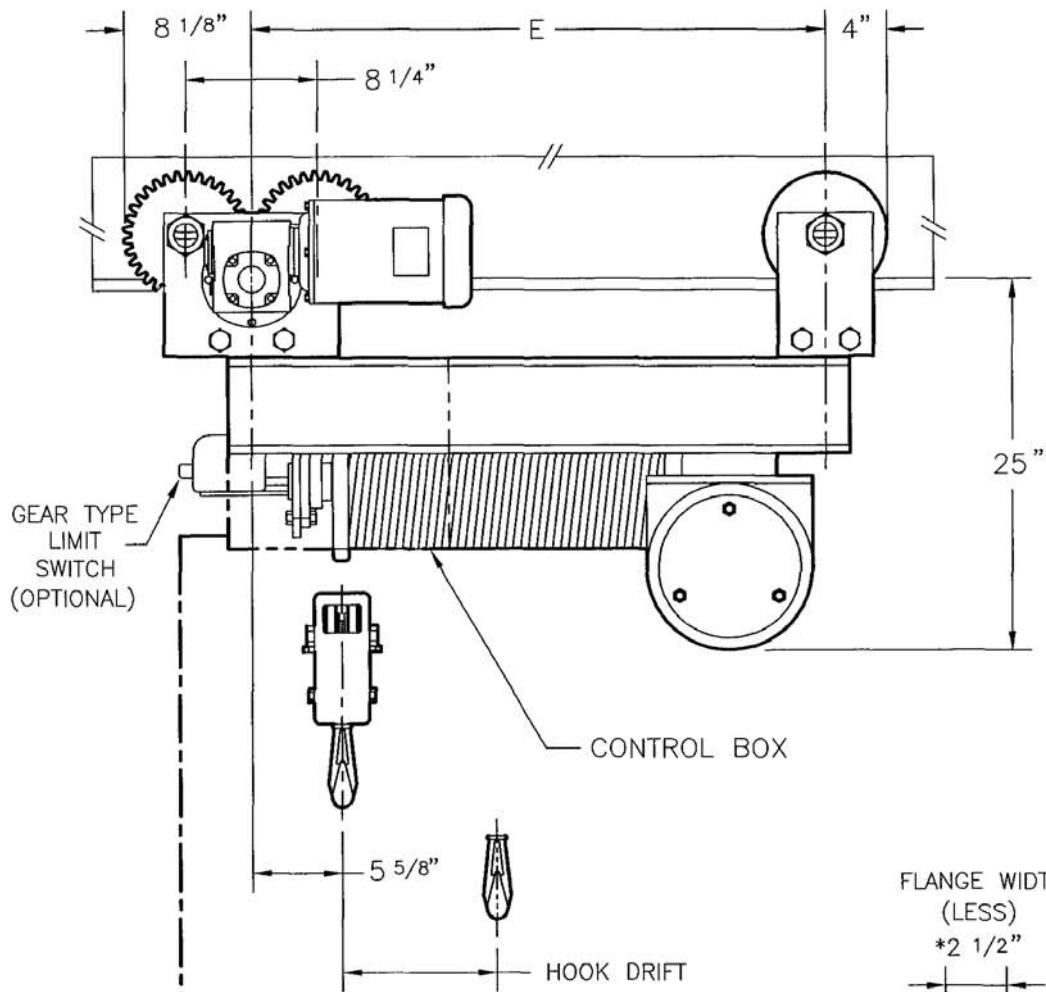
1 to 3 TON SINGLE HOOK  
MONORAIL HOISTS (A TYPE)

CONTACT:  
**McLAUGHLIN HOIST & CRANE**  
Phone: (636) 343-9700 Sales@StLCrane.com  
Fax: (636) 343-0840 www.StLCrane.com

DRAWING NO.:  
WB-1

\* LESS 1 5/8" FOR PATENTED TRACK WITH NARROW WHEELS

TROLLEYS



ALL DIMENSIONS ARE FOR REFERENCE ONLY AND SUBJECT TO CHANGE WITHOUT NOTICE

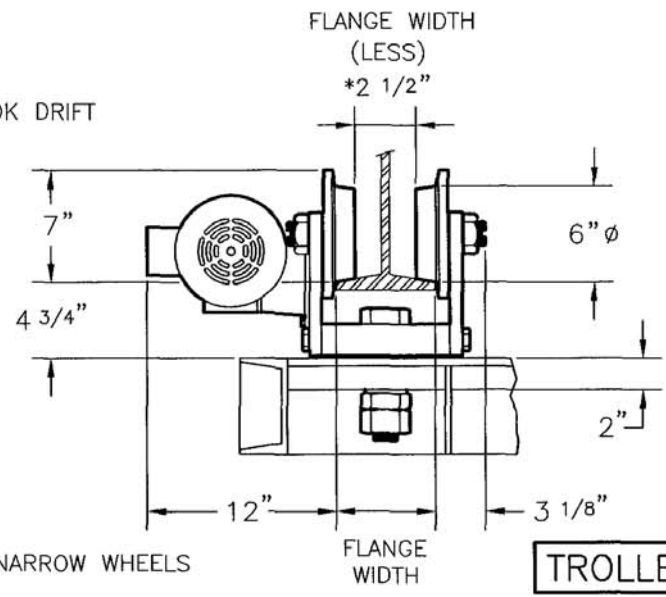
FOR LETTER DESIGNATIONS - SEE CATALOG

**SATURN**  
OVERHEAD EQUIPMENT, LLC

4 to 7.5 TON SINGLE HOOK MONORAIL HOISTS (A-TYPE)

CONTACT:  
**SMCLAUGHLIN HOIST & CRANE CO**  
Phone: (636) 343-9700    Sales@StLCrane.com  
Fax: (636) 343-0840    www.StLCrane.com

DRAWING NO.:  
**WB-2**



P.B. STATION (OPTIONAL)

○ TROLLEY FORWARD  
○ TROLLEY REVERSE  
○ HOIST UP  
○ HOIST DOWN

\* LESS 1 5/8" FOR PATENTED TRACK WITH NARROW WHEELS