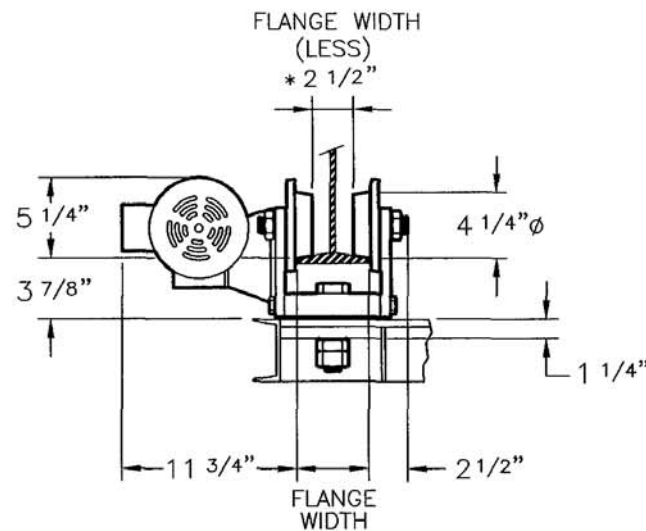


ALL DIMENSIONS ARE FOR REFERENCE ONLY AND SUBJECT TO CHANGE WITHOUT NOTICE

- TROLLEY FORWARD
- TROLLEY REVERSE
- HOIST UP
- HOIST DOWN

P.B. STATION (OPTIONAL)

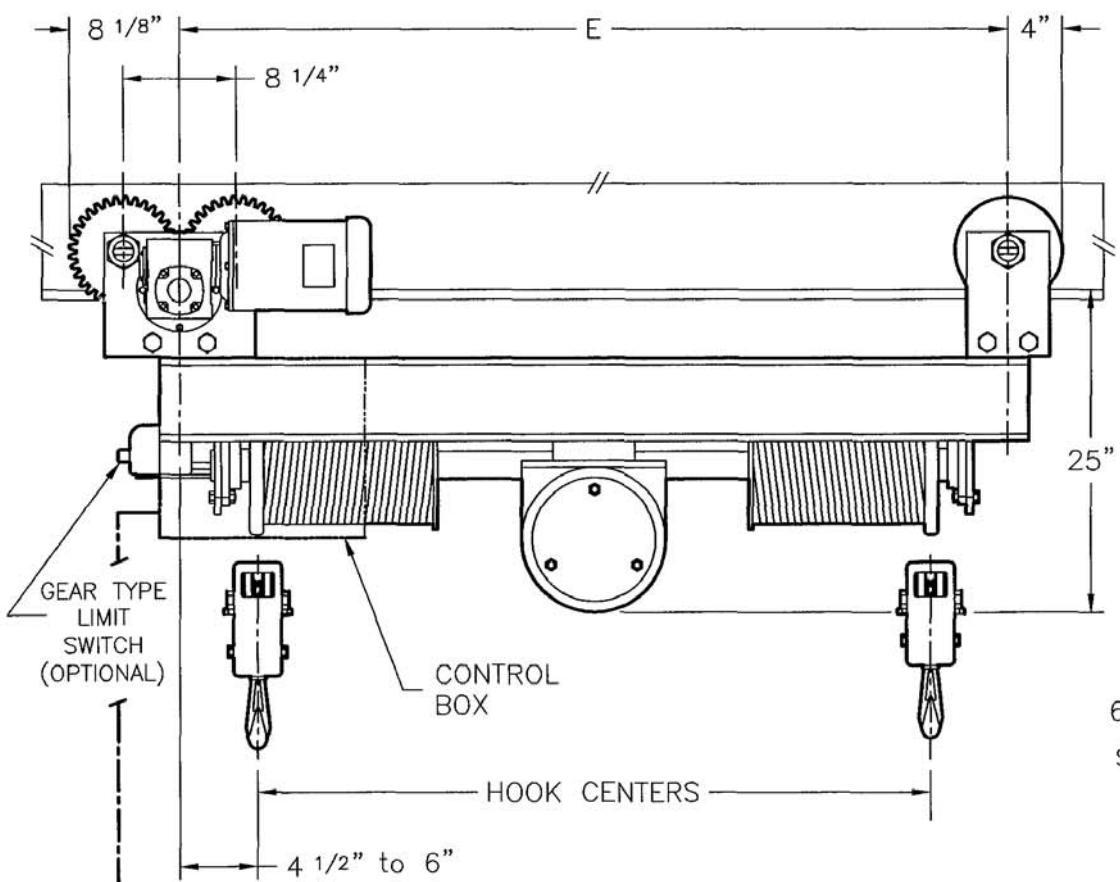


FOR LETTER DESIGNATIONS - SEE CATALOG

<h1>SATURN</h1> <p>OVERHEAD EQUIPMENT, LLC</p>	
<p>1 to 3 TON TWIN HOOK MONORAIL HOISTS (B TYPE)</p>	
<p>CONTACT: McLAUGHLIN HOIST & CRANE Phone: (636) 343-9700 Sales@StL.Crane.com Fax: (636) 343-0840 www.StL.Crane.com</p>	<p>DRAWING NO.: WB-23</p>

* LESS 1 5/8" FOR PATENTED TRACK WITH NARROW WHEELS

TROLLEYS



GEAR TYPE
LIMIT
SWITCH
(OPTIONAL)

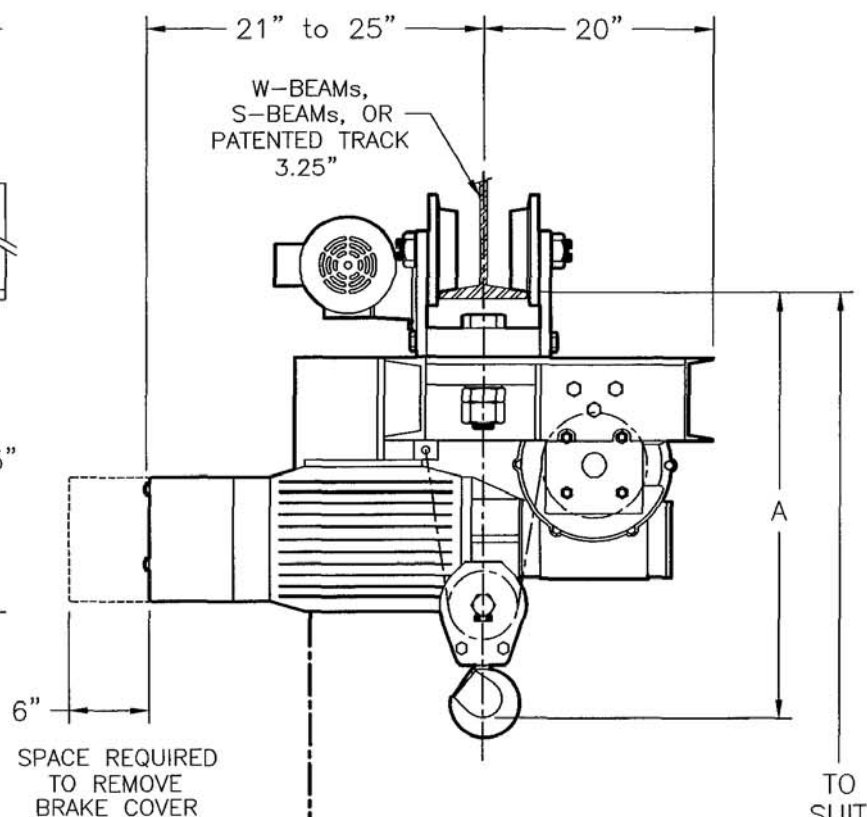
CONTROL
BOX

HOOK CENTERS

4 1/2" to 6"

- TROLLEY FORWARD
- TROLLEY REVERSE
- HOIST UP
- HOIST DOWN

P.B. STATION
(OPTIONAL)



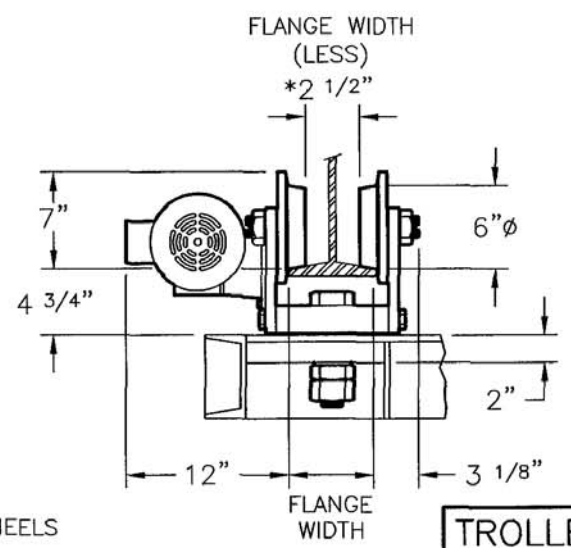
W-BEAMS,
S-BEAMS, OR
PATENTED TRACK
3.25"

6" SPACE REQUIRED
TO REMOVE
BRAKE COVER

TO
SUIT

ALL DIMENSIONS ARE
FOR REFERENCE ONLY
AND SUBJECT TO CHANGE
WITHOUT NOTICE

FOR LETTER DESIGNATIONS - SEE CATALOG



FLANGE WIDTH
(LESS)

*2 1/2"

FLANGE
WIDTH

TROLLEYS

* LESS 1 5/8" FOR PATENTED TRACK WITH NARROW WHEELS

SATURN
OVERHEAD EQUIPMENT, LLC

4 to 7.5 TON TWIN HOOK
MONORAIL HOISTS (B TYPE)

CONTACT:

McLAUGHLIN HOIST & CRANE CO

Phone: (636) 343-9700 Sales@StL.Crane.com
Fax: (636) 343-0840 www.StL.Crane.com

DRAWING NO.:

WB-24