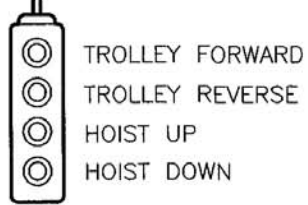
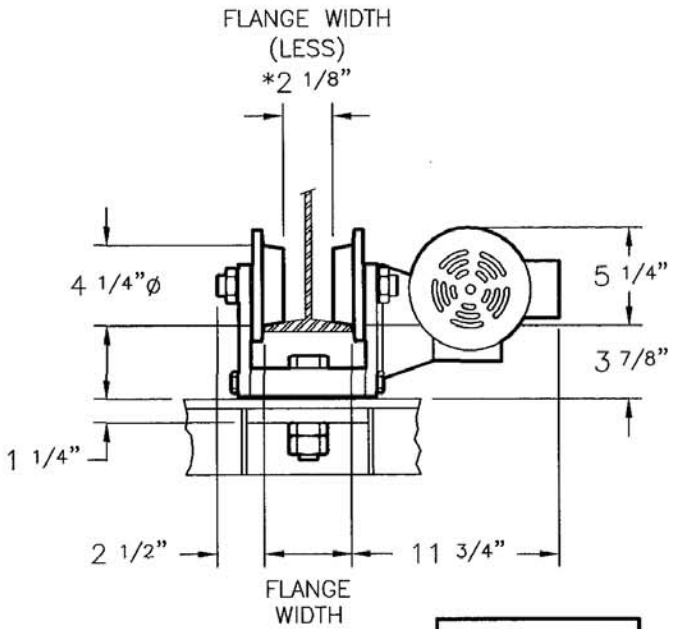


ALL DIMENSIONS ARE FOR REFERENCE ONLY AND SUBJECT TO CHANGE WITHOUT NOTICE



P.B. STATION (OPTIONAL)



TROLLEYS

FOR LETTER DESIGNATIONS - SEE CATALOG

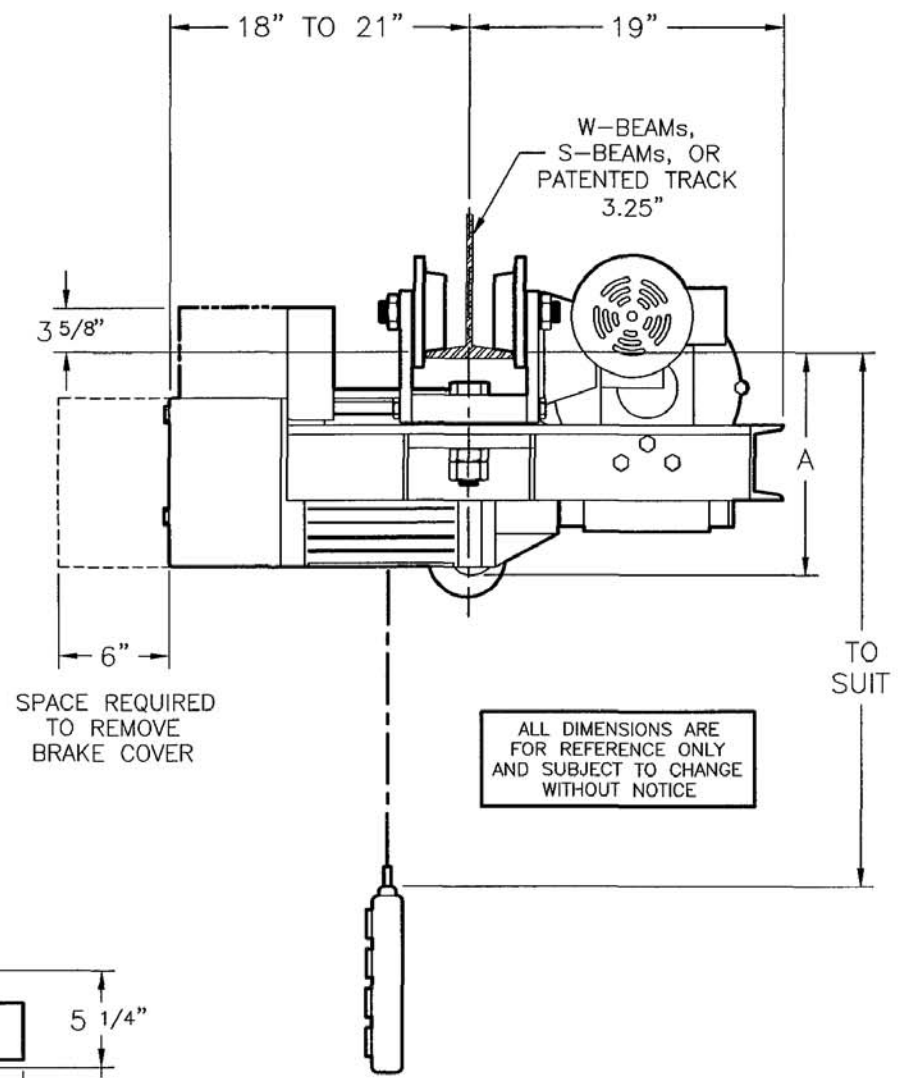
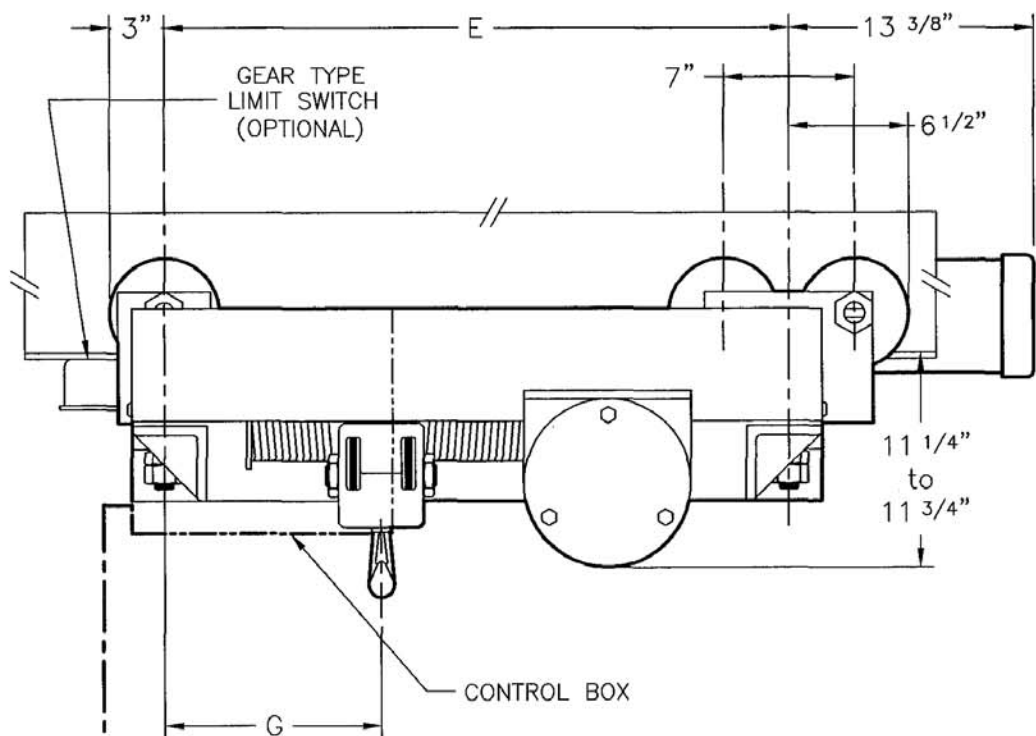
SATURN OVERHEAD EQUIPMENT, LLC

1 to 1.5 TON ULTRA-LOW HEADROOM MONORAIL HOIST (EE TYPE)

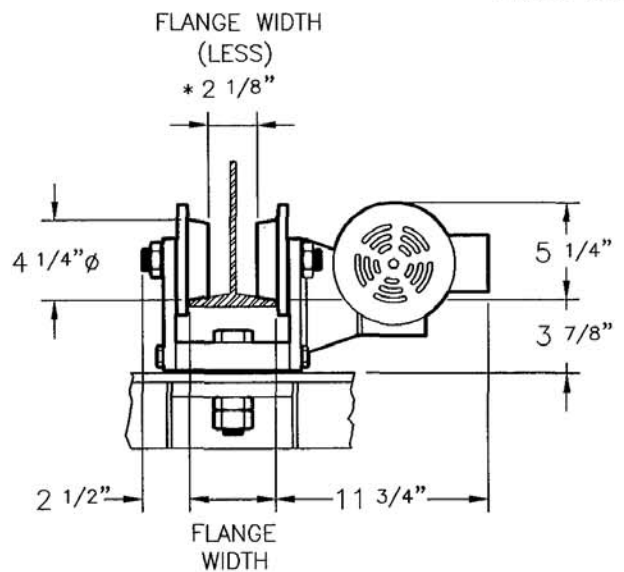
CONTACT:
McLAUGHLIN HOIST & CRANE
Phone: (636) 343-9700 Sales@StLCrane.com
Fax: (636) 343-0840 www.StLCrane.com

DRAWING NO.:
WB-16

* LESS 1 5/8" FOR PATENTED TRACK WITH NARROW WHEELS



- TROLLEY FORWARD
 - TROLLEY REVERSE
 - HOIST UP
 - HOIST DOWN
- P.B. STATION (OPTIONAL)



FOR LETTER DESIGNATIONS - SEE CATALOG

SATURN
OVERHEAD EQUIPMENT, LLC

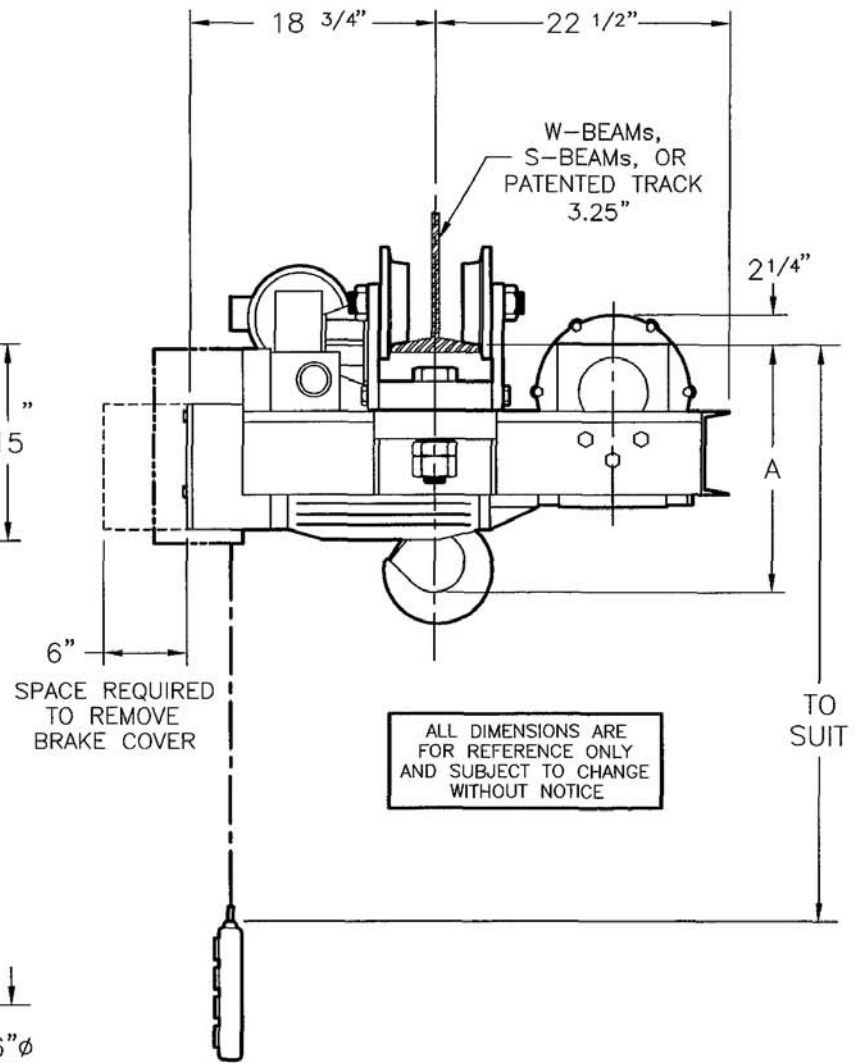
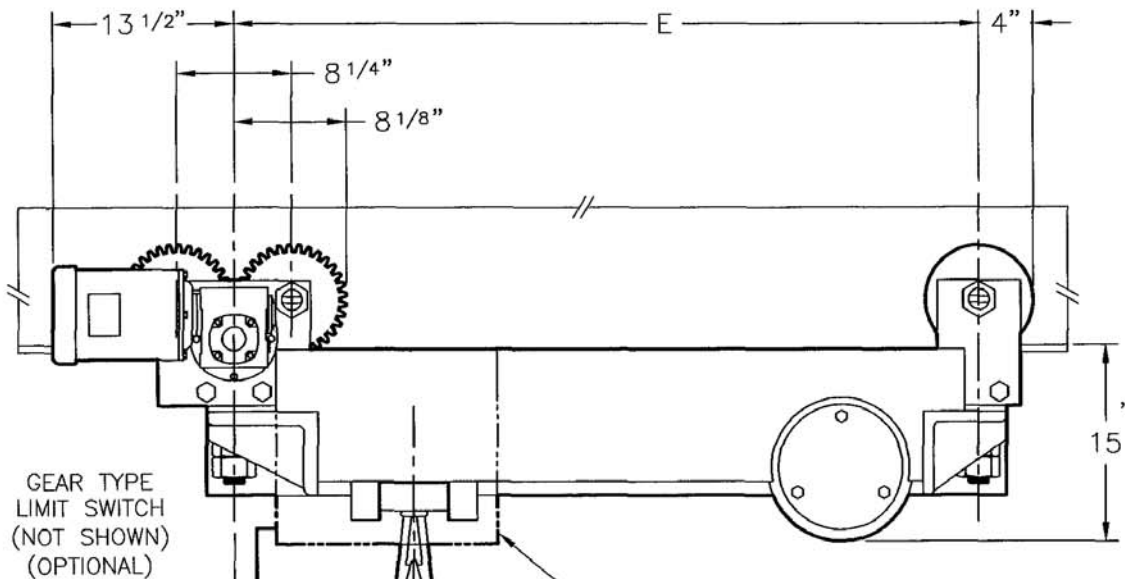
2 to 3 TON ULTRA-LOW HEADROOM MONORAIL HOIST (FE TYPE)

CONTACT:
SMCLAUGHLIN HOIST & CRANE
Phone: (636) 343-9700 Sales@StLCrane.com
Fax: (636) 343-0840 www.StLCrane.com

DRAWING NO.:
WB-20

TROLLEYS

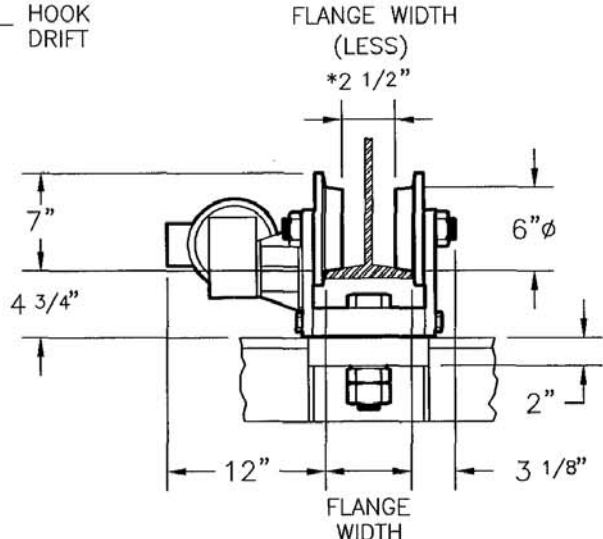
* LESS 1 5/8" FOR PATENTED TRACK WITH NARROW WHEELS



ALL DIMENSIONS ARE FOR REFERENCE ONLY AND SUBJECT TO CHANGE WITHOUT NOTICE

- TROLLEY FORWARD
- TROLLEY REVERSE
- HOIST UP
- HOIST DOWN

P.B. STATION (OPTIONAL)



FOR LETTER DESIGNATIONS - SEE CATALOG

SATURN 
OVERHEAD EQUIPMENT, LLC

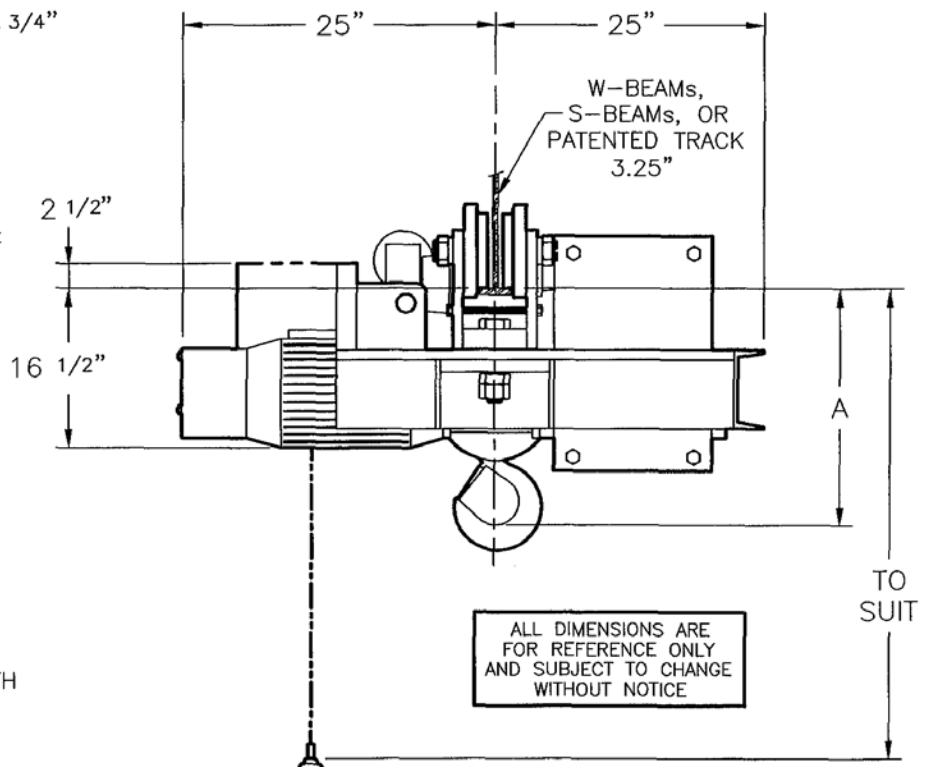
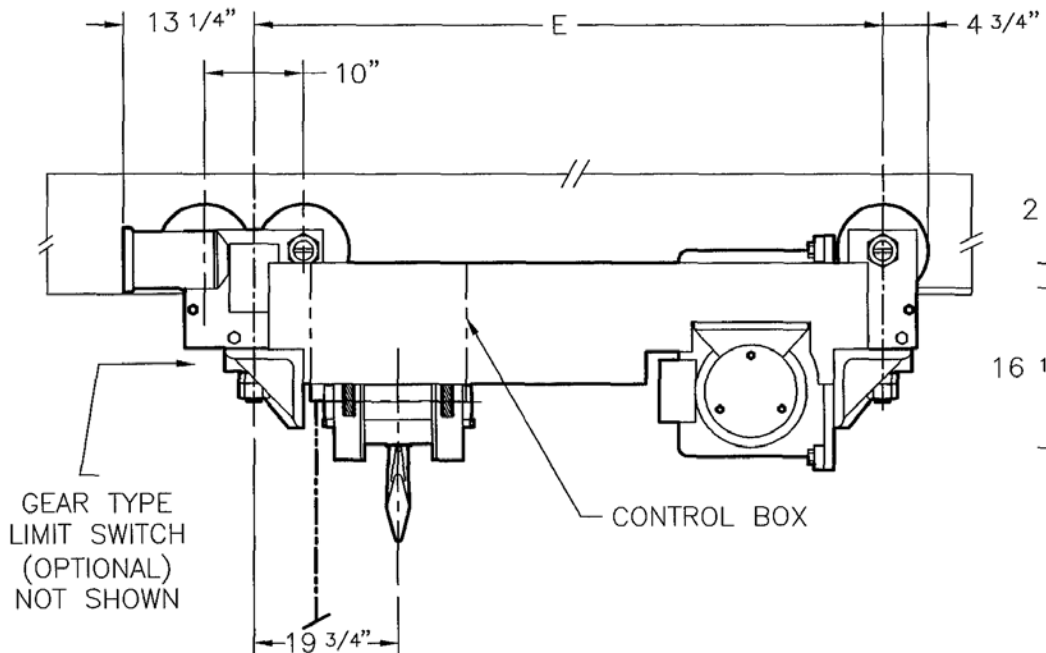
4 to 5-TON ULTRA-LOW HEADROOM MONORAIL HOIST (FE TYPE)

CONTACT:
SMCLAUGHLIN HOIST & CRANE
 Phone: (636)343-9700 Sales@StLCrane.com
 Fax: (636) 343-0840 www.StLCrane.com

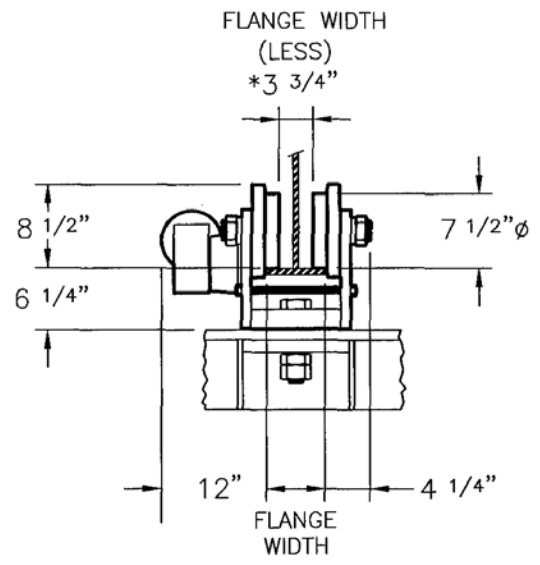
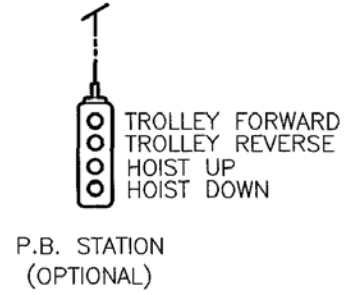
DRAWING NO.:
WB-18

* LESS 1 5/8" FOR PATENTED TRACK WITH NARROW WHEELS

TROLLEYS



ALL DIMENSIONS ARE FOR REFERENCE ONLY AND SUBJECT TO CHANGE WITHOUT NOTICE



TROLLEYS

FOR LETTER DESIGNATIONS - SEE CATALOG

SATURN
OVERHEAD EQUIPMENT, LLC

10-TON ULTRA-LOW HEADROOM
MONORAIL HOIST (GE TYPE)

CONTACT:
McLAUGHLIN HOIST & CRANE
Phone: (636) 343-9700 Sales@StLCrane.com
Fax: (636) 343-0840 www.StLCrane.com

DRAWING NO.:
WB-21

* LESS 1 7/8" FOR PATENTED TRACK WITH NARROW WHEELS