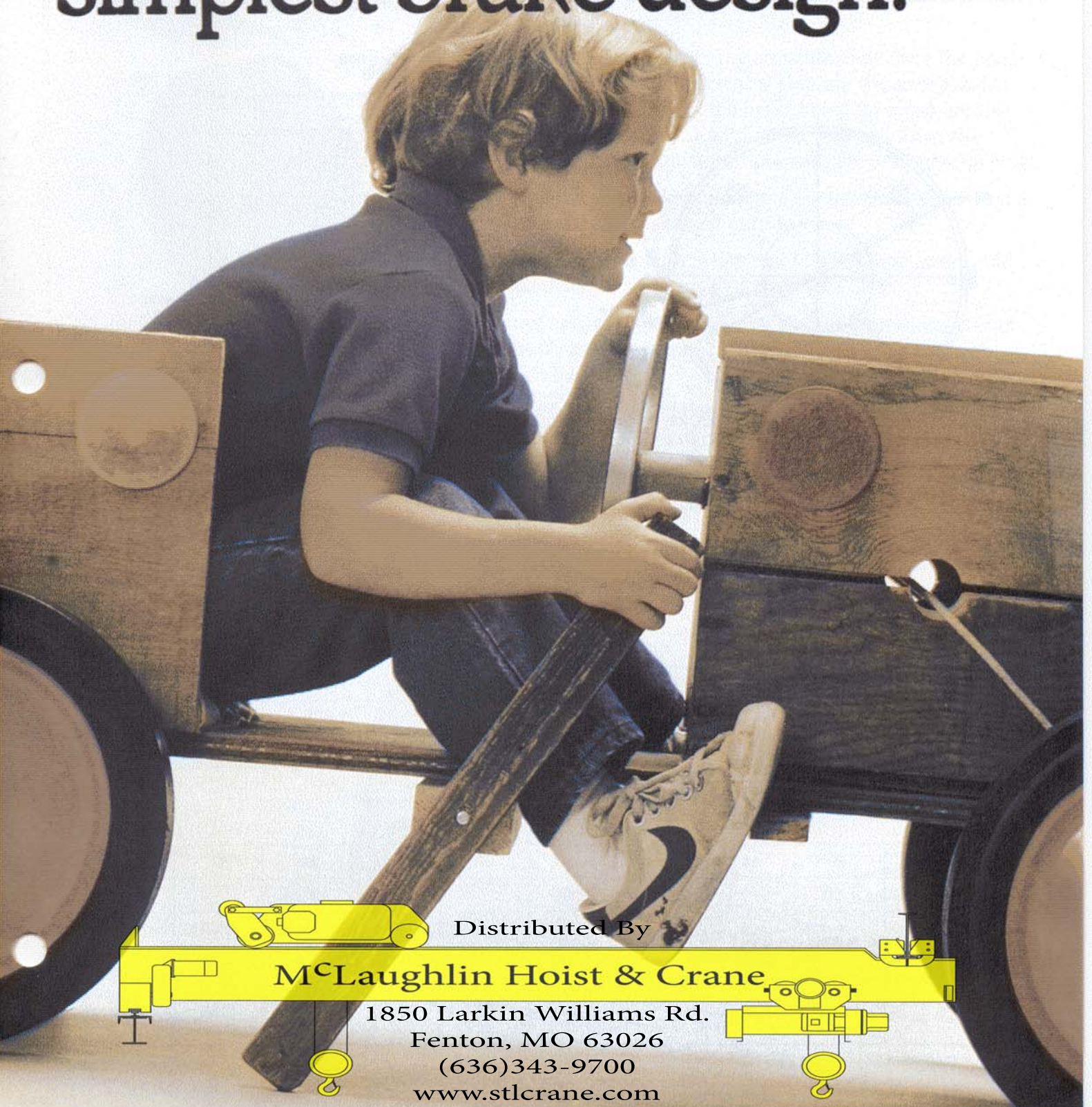


Reuland. The world's second simplest brake design.



Distributed By

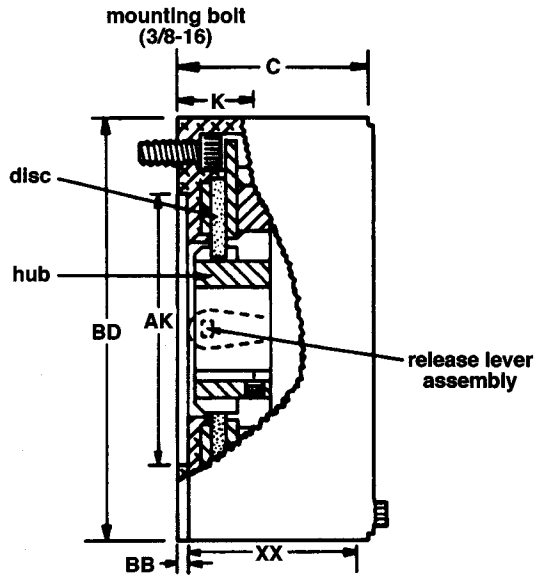
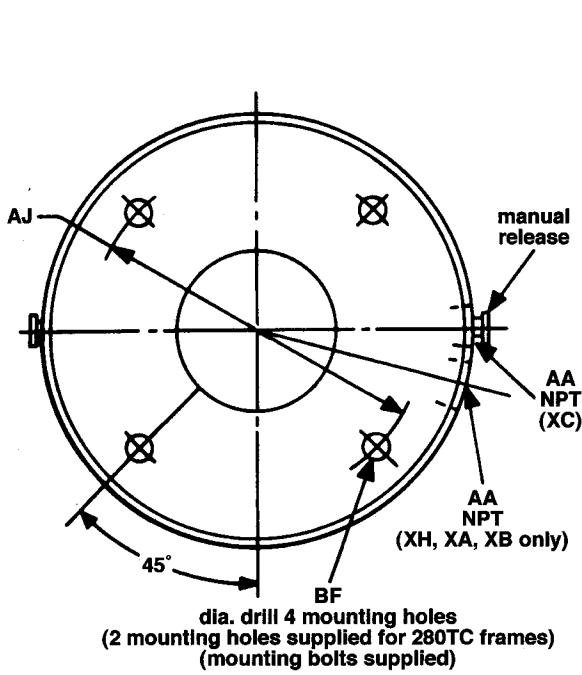
McLaughlin Hoist & Crane

1850 Larkin Williams Rd.
Fenton, MO 63026
(636)343-9700
www.stlcrane.com

Nema "C" Face - X Series

Specifications

MODEL	NOMINAL STATIC TORQUE (LBS./FEET)	NEMA MOTOR FRAME	APPROXIMATE SHIPPING WEIGHT
XH	1.5 - 3 - 6 - 10	56C thru 145TC	13 lbs.
XA	3 - 6 - 10 - 15	182TC thru 256TC	23 lbs.
XB	15 - 25 - 35		26 lbs.
XC	50 - 75	213TC thru 286TC	85 lbs.



AVAILABLE STANDARD BORES					
MODEL XH - XA		MODEL XA - XB - XC		MODEL XC	
BORE	KEYWAY	BORE	KEYWAY	BORE	KEYWAY
.625	3/16	1.125	1/4	1.375	5/16
.750		1.375	5/16	1.625	3/8
.875		1.625	3/8	1.875	
1.000	1/4	—	—	—	—

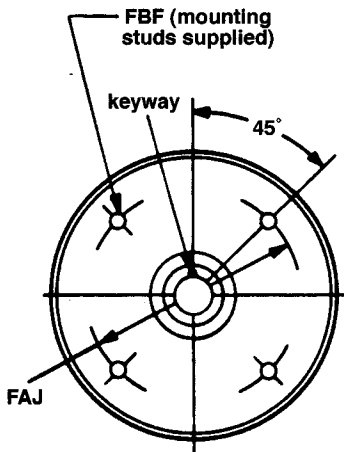
MODEL	C	P	AA	AJ	AK	BB	BD	BF	XX	K
XH	.322	7.00	.50	5.88	4.500	.19	6.94	13/22	2.75	1.31
XA	3.69	8.62		7.25	8.500		8.75	17/32	3.06	.44
XB	4.94			9.00	10.500		10.88		5.62	
XC	6.31	11.00		7.25	8.500					
XC*										

*For motor frames 213TC thru 256TC

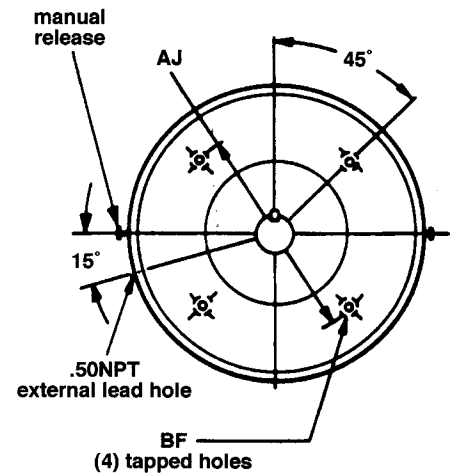
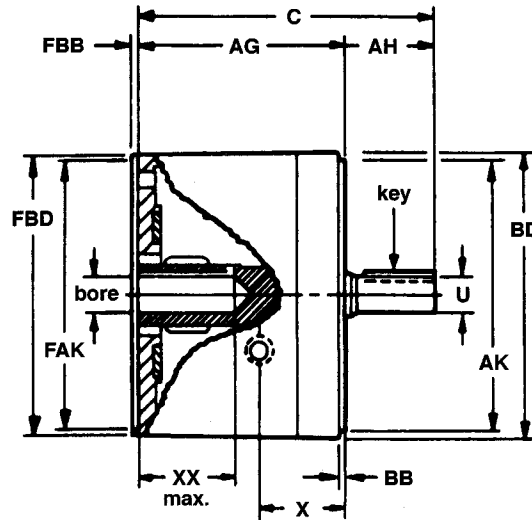
Nema Double "C" Face - X Series

Specifications

MODEL	NOMINAL STATIC TORQUE (LBS./FEET)	NEMA MOTOR FRAME	APPROXIMATE SHIPPING WEIGHT
XH	1.5 - 3 - 6 - 10	56C thru 145TC	22 lbs.
XA	3 - 6 - 10 - 15	180TC thru 210TC	27 lbs.
XB	15 - 25 - 35		29 lbs.
XC	50 - 75	213TC thru 286TC	80 lbs.



XC (2 mounting holes provided for 280TC frames)



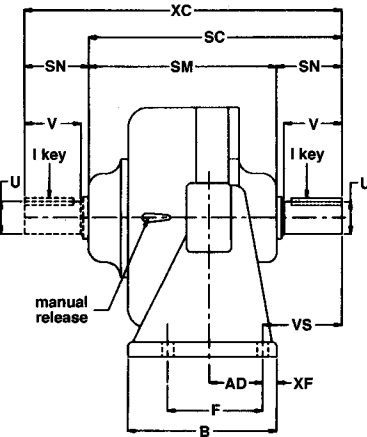
AVAILABLE STANDARD BORES					
MODEL XH - XA		MODEL XA - XB		MODEL XC	
BORE	KEYWAY	BORE	KEYWAY	BORE	KEYWAY
.625	3/16	1.125	1/4	1.375	5/16
.750		1.375	5/16	1.625	3/8
.875		—	—	1.875	1/2
1.000	1/4	—	—	—	—

MODEL	FRAME	C	U	BB	KEY	AG	AH	AK	BF	BD	FBD	FAK	FBF	XX	FBB	X	FAJ	AJ
XH	56C	6.31	.6250	.12	.19	4.25	2.06	4.500	3/8-16	7.00	6.94	4.50	13/32	2.25		1.88	5.88	5.88
	140TC	6.38	.8750				2.12											
XA	180TC	7.62	1.1250	.25	.25	5.00	2.62	4.500 or 8.500	1/2-13	9.00	8.81	4.500 or 8.500	17/32	3.19	.19	2.75	7.25	7.25
	210TC	8.12	1.3750				3.12											
XB	180TC	8.88	1.1250	.25	.31	6.25	2.62	8.500	11.12	10.88	8.500	10.500	4.71	.22	2.62	7.25	7.25	9.00
	210TC	9.38	1.3750				3.12											
XC	210TC	10.25	1.3750	.50	.38	7.12	3.12	10.500	11.12	10.88	10.500	10.500	4.71	.22	2.62	7.25	7.25	9.00
	250TC	10.88	1.6250				3.75											
	280TC	11.50	1.8750				4.38											

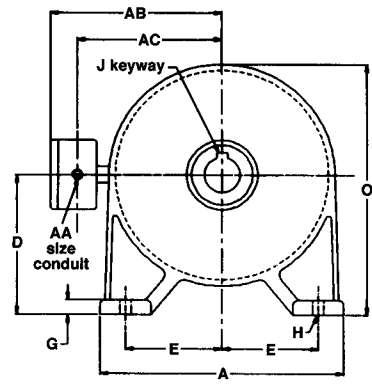
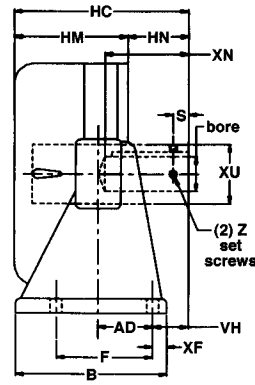
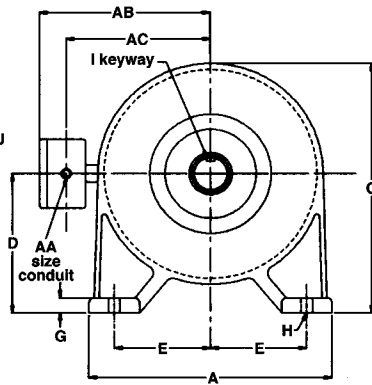
Solid Shaft/Hollow Shaft Foot Mounted - O Series

Specifications

MODEL	NOMINAL STATIC TORQUE (LBS./FEET)	NEMA MOTOR FRAME	APPROXIMATE SHIPPING WEIGHT
OA	3 - 6 - 10 - 15	140T thru 180T	40 lbs.
OB	15 - 25 - 35	180T thru 210T	46 lbs.
OC	50 - 70	250T thru 280T	95 lbs.
OC-2	105 - 125 - 150	280T thru 320T	190 lbs.
OL	15 - 25 - 35	180T thru 210T	42 lbs.



Solid Shaft Brake



Hollow Shaft Brake

not available in OC-2 model

AVAILABLE HOLLOW BORES							
MODEL OA		MODEL OB		MODEL OC		MODEL OL	
BORE	J KEYWAY	BORE	J KEYWAY	BORE	J KEYWAY	BORE	J KEYWAY
.625	3/16	.875	3/16	1.375	5/16	.625	3/16
.750	3/16	1.00	1/4	1.500	3/8	.750	3/16
.875	3/16	1.125	1/4	1.625	3/8	.875	3/16
1.00	1/4	—	—	1.750	1/2	1.00	1/4
1.125	1/4	—	—	1.875	1/2	1.125	1/4

MODEL	A	B	SC	HC	D	E	F	G	H	SM	HM	SN	HN	O
OA	10.00	4.56	9.39	5.62	5.00	4.00	2.75	.50	7/16	6.12	3.88	3.25	1.75	9.38
OB			10.56	6.12						7.31	4.94		1.19	
OC	12.00	7.44	12.69	8.56	7.00	4.75	4.75	.75	9/16	9.44	5.565	3.12	3.00	12.56
OC-2		7.31	17.94	NA						14.81	NA		NA	
OL	10.00	4.56	9.31	5.94	5.00	4.00	2.75	.50	7/16	6.06	4.19	3.25	1.75	9.50

MODEL	U	XU	XC	XF	XN	AA	AB	AC	AD	S	V	VS	VH	Z	I KEY
OA	1.000	1.625	12.62	.44	2.88	.50	7.44	6.12	.44	1.00	2.88	3.69	1.00	1/4-20	1/4
OB	1.250		13.81										.44		
OC	1.625	3.00	15.94	.69	4.12		8.44	7.12	2.69	.75	3.94	1.75	3/8-16	3/8	
OC-2	1.750	NA	21.06	.62	NA		.62	NA	3.00	8.94	NA	NA	NA		
OL	1.250	1.625	12.56	.44	2.88		7.44	6.12	.44	1.00	2.88	3.38	1.00	1/4-20	1/4

The simple secret inside our direct acting magnetic disc brake: only one moving part.

Ask any maintenance engineer. The fewer the moving parts, the less there is to break down and wear out.

That's the simple logic Reuland engineers used to design this heavy duty magnetic disc brake.

It has just seven major parts. And only one of them moves. The armature.

The electromagnet attracts the armature away from the brake lining. Then the instant current is shut off, the springloaded armature is thrust against the brake lining for a fast positive stop. And the brake holds until power resumes. Then the magnet retracts the armature, automatically releasing the brake.

In case of a power failure, the drive automatically stops. And a manual release is positioned outside.

The Reuland brake design eliminates linkage and levers. And the maintenance problems that come with them.

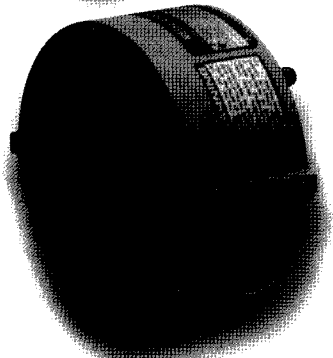
Plus, we assemble our brake from all heavy-duty components for trouble-free operation. The brake lining is a very tough, durable material.

Spring pressure automatically compensates for lining wear. And safety stops are designed into the brake housing which prevents the armature from pressing the lining beyond its maximum wear point. The housing, made of cast metal, provides protection from external damages.

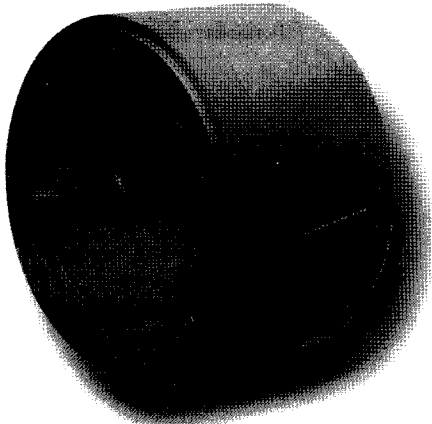
This heavy duty brake is available from 1.5 to 150 lb./ft., Standard C Face, Double C Face and Foot Mounted.



Shaft/Foot Mounted



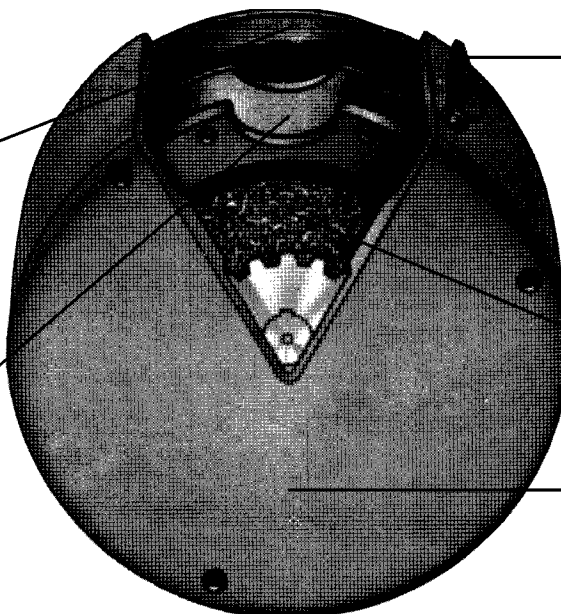
Nema "C" Face



Nema Double "C" Face

Electromagnet. The instant that current is shut off, spring pressure on the armature forces the brake lining against the housing.

The Reuland magnetic disc brake is direct acting, designed with a single moving part - the armature. The levers and linkages of ordinary brakes are eliminated. Maintenance is nearly done away with.



A manual brake release lever is positioned outside the housing, unlike some brakes that require removal of the housing for release. Manual operation is simple in a power failure.

A durable, heavy duty lining is self adjusting over time.

Reuland's heavy duty housings are cast aluminum and cast iron to protect the brake from damage.

Specifications

OPERATION: Spring Set/Magnetically released.

TORQUE RATINGS: 1.5 thru 150 lb./ft. - Nominal Static Torque, adjustable torque rating with Model OA, and OL brakes (all others non-adjustable).

VOLTAGE: NEMA standard AC and DC (DC applies to Models XC, OC, OC-2 and OL only).

PHASE: Three

FREQUENCY: 50, 60

INSULATION: Standard Class B.

ENCLOSURE: Cast Iron (OA, OB, OC, OC-2, XA, XB & XC), Cast Aluminum (OL & XH).

RATING: Continuous duty.

MOUNTING: NEMA C Face or Foot Mounted.

NEMA FRAME SIZES: 56C thru 280TC.

THERMAL CAPACITY:

MODEL	XH	XA,OA	OL	XB,OB	XC,OC	OC-2
HP sec/min	8.7	7	8.7	10	22	44

Modifications

SPACE HEATER.

ENCLOSURE: DTWP, Marine Duty.

INSULATION: Class F and H, Super B, F or H. VPI (Vacuum Pressure Impregnated).

DUAL VOLTAGE.

THRU SHAFT CONSTRUCTION.

OUTBOARD BEARING CONSTRUCTION.

DOUBLE SHAFT-FOOT MOUNTED.

MOUNTING ADAPTERS FOR INTERCHANGING MOTOR FRAME SIZES AND SPECIAL MOTOR MOUNTING CONFIGURATIONS.

SPECIAL HUB BORES.


NON-NEMA STANDARD VOLTAGES AND FREQUENCIES.

How to Order

- Specify model.
- Specify torque.
- Specify voltage and frequency.
- Specify modifications, if required.
- Specify foot mounted, if required.



BRAKES BY REULAND



Distributed By

M^cLaughlin Hoist & Crane

1850 Larkin Williams Rd.
Fenton, MO 63026
(636)343-9700
www.stlcrane.com