

LSB-A-680-1

Operating, Maintenance & Parts Manual

# LSB-A Series

**3/4 to 6 Ton  
Model Numbers**

- LSB1500A**
- LSB3000A**
- LSB6000A**
- LSB12000A**

**Follow all instructions and warnings for inspecting, maintaining and operating this hoist.**

The use of any hoist presents some risk of personal injury or property damage. That risk is greatly increased if proper instructions and warnings are not followed. Before using this hoist, each operator should become thoroughly familiar with all warnings, instructions, and recommendations in this manual. Retain this manual for future reference and use.

Forward this manual to the hoist operator. Failure to operate the equipment as directed in the manual may cause injury.

Should you have any questions or have problems with this product, please call Coffing Hoists at **(800) 477-5003**

Before using the hoist, fill in the information below:

Model No. \_\_\_\_\_

Serial No. \_\_\_\_\_

Purchase Date \_\_\_\_\_



# COFFING® HOISTS

# Ratchet Lever

Country Club Road  
P.O. Box 779  
Wadesboro, NC 28170 USA  
TEL: (800) 477-5003  
FAX: (800) 374-6853

## SAFETY PRECAUTIONS

Each Coffing LSB-A Manually Lever Operated Chain Hoist is built in accordance with the specifications contained herein and at the time of manufacture complies with our interpretation of applicable sections of \*American Society of Mechanical Engineers Code (ASME) B30.21 and the \*American National Standards Institute ANSI/ASME HST-3M. \*Copies of this Standard can be obtained from ASME Order Department, 22 Law Drive, Box 2300, Fairfield, NJ 07007-2300, U.S.A.

### WARNING

**Improper operation of a hoist can create a potentially hazardous situation which, if not avoided, could result in death or serious injury. To avoid such a potentially hazardous situation, the operator shall:**

1. **NOT** operate a malfunctioning or unusually performing hoist.
2. **NOT** operate the hoist until you have thoroughly read and understood the manufacturer's Operating and Maintenance Instructions or Manuals.
3. **NOT** operate a hoist which has been modified without the manufacturer's approval or certification to be in conformity with applicable OSHA regulations.
4. **NOT** lift or pull more than rated load for the hoist.
5. **NOT** use damaged hoist or hoist that is NOT working properly.
6. **NOT** use hoist with twisted, kinked, damaged, or worn load chain.
7. **NOT** operate with any lever extension (cheater bar).
8. **NOT** attempt to "free-chain" the hoist while a load is applied.
9. **NOT** use the hoist to lift, support, or transport people.
10. **NOT** lift loads over people and make sure all personnel remain clear of the supported load.
11. **NOT** attempt to lengthen the load chain or repair damaged load chain.
12. Protect the hoist's load chain from weld splatter or other damaging contaminants.
13. **NOT** operate hoist when it is restricted from forming a straight line from hook to hook in the direction of loading.
14. **NOT** use load chain as a sling or wrap load chain around load.
15. **NOT** apply the load to the tip of the hook or the hook latch.
16. **NOT** apply load unless load chain is properly seated in the chain wheel(s) or sprocket(s).
17. **NOT** apply load if bearing prevents equal loading on all load supporting chains.
18. **NOT** operate beyond the limits of the load chain travel.
19. **NOT** leave load supported by the hoist unattended unless specific precautions have been taken.
20. **NOT** allow the chain or hook to be used as an electrical or welding ground.
21. **NOT** allow the chain or hook to be touched by a live welding electrode.

22. **NOT** remove or obscure the warnings on the hoist.
23. **NOT** operate a hoist which has NOT been securely attached to a suitable support.
24. **NOT** operate a hoist unless load slings or other approved single attachments are properly sized and seated in the hook saddle.
25. **NOT** lift loads that are NOT balanced and that the holding action is NOT secure, taking up slack carefully.
26. **NOT** operate a hoist unless all persons are and remain clear of the supported load.
27. Report malfunctions or unusual performances of a hoist, after it has been shut down until repaired.
28. **NOT** operate a hoist on which the safety placards or decals are missing or illegible.
29. Be familiar with operating controls, procedures, and warnings.

### CAUTION

**Improper operation of a hoist can create a potentially hazardous situation which, if not avoided, could result in minor or moderate injury. To avoid such a potentially hazardous situation, the operator shall:**

1. Maintain a firm footing or be otherwise secured when operating the hoist.
2. Check brake function by tensioning the hoist prior to each lift or pulling operation.
3. Use hook latches. Latches are to retain slings, chains, etc. under slack conditions only.
4. Make sure the hook latches are closed and not supporting any parts of the load.
5. Make sure the load is free to move and will clear all obstructions.
6. Avoid swinging the load or hook.
7. Avoid lever "fly-back" by keeping a firm grip on the lever until operating stroke is completed and the lever is at rest.
8. Inspect the hoist regularly, replace damaged or worn parts, and keep appropriate records of maintenance.
9. Use the hoist manufacturer's recommended parts when repairing the unit.
10. Lubricate load chain per hoist manufacturer's recommendations.
11. **NOT** use the hoist load limiting or warning device to measure load.
12. **NOT** operate except with manual power.
13. **NOT** permit more than one operator to pull on lever at the same time. More than one operator is likely to cause hoist overload.
14. **NOT** allow your attention to be diverted from operating the hoist.
15. **NOT** allow the hoist to be subjected to sharp contact with other hoists, structures, or objects through misuse.
16. **NOT** adjust or repair the hoist unless qualified to perform such adjustments or repairs.



## TABLE OF CONTENTS

Safety Precautions .....1  
 Hoist Specifications .....2  
 Application Information .....2  
 Safety Information .....3  
 Operation .....4  
 Maintenance .....4  
 Replacement Parts List .....9  
 Parts Depot & Warranty Repair Centers .....17  
 Warranty .....Back Cover

## HOIST SPECIFICATIONS

Coffing Lever Hoists are made of the best selected materials, to produce top of the line material handling equipment. Coffing Lever Hoists are manufactured and processed through up to date streamlined production facilities by skilled engineers under strict quality control. All lever hoists are tested before leaving our factory.

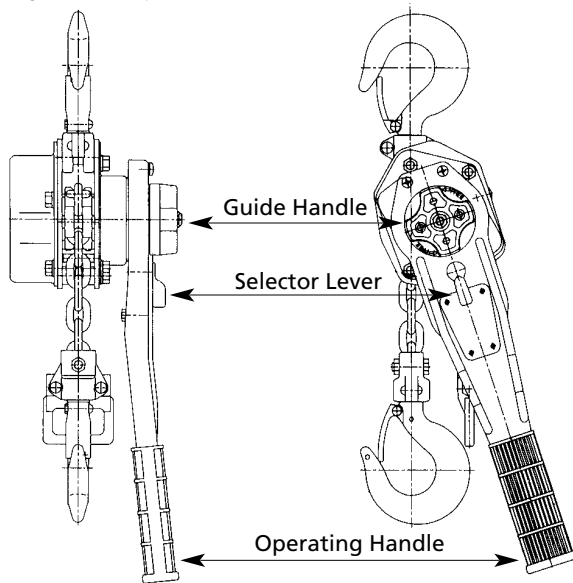


Figure 1 - Lever Hoist

Table 1 - Hoist Specifications

Rated Capacity (tons)	Std. Lift (ft)	Chain dia. x falls	Minimum Distance Between Hooks (in)	Pull on lever to lift full load (lbs)	Length of operating handle (in)	Net Weight (lbs)	Test Load (tons)
.75	5	ø5.6mmx1	11 <sup>5</sup> / <sub>8</sub>	46	9 <sup>1</sup> / <sub>4</sub>	13	1.125
1.5	5	ø7.1mmx1	14 <sup>31</sup> / <sub>32</sub>	55	13 <sup>3</sup> / <sub>4</sub>	21	2.25
3	5	ø9mmx1	16 <sup>9</sup> / <sub>16</sub>	77	13 <sup>3</sup> / <sub>4</sub>	33	4.5
6	5	ø9mmx2	22 <sup>7</sup> / <sub>16</sub>	84	13 <sup>3</sup> / <sub>4</sub>	63	9.0

The design, materials and specifications are subject to change for improvements without notice.

## APPLICATION INFORMATION

1. Inspect carefully for any damage that may occur during shipping. Check for loose, missing, or damaged parts.
2. Lubricate the load chain along with whole length with machine oil (See Figure 2).

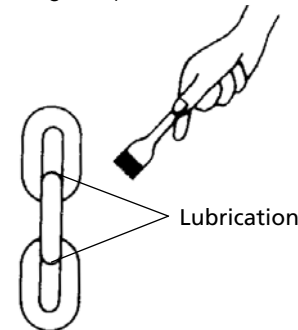


Figure 2 - Chain Lubrication

3. Examine the load chain to ensure that there is no twist. When your lever hoist is a 6 ton that lifts on 2 falls of load chains, twists can arise from the bottom hook being accidentally turned over through the load chains (See Figure 3).
4. Confirm that the supporting structure is strong enough to support the full rated capacity of the lever hoist with a generous factor of safety.

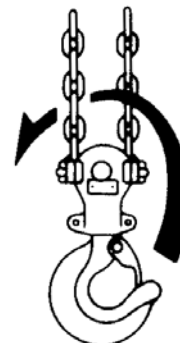


Figure 3 - Correcting Chain Twist

## SAFETY INFORMATION

1. Keep the load within the rated capacity marked on the lever hoist. An excess load may lead to an accident. The lever hoist is overloaded when the pulling effort indicated in the standard specifications is exceeded (See Table 1).
2. Before operating, lift and lower the load about 4" and test the brake system. Ineffective braking may lead to an accident.
3. Loads must be lifted as slowly as possible. Load swinging and abrupt shocks will impose on the lever hoist excessive burdens double or more the weight of the load.
4. Extreme temperatures will affect the durability of the lever hoist. In subzero temperatures loads must be lifted and lowered very slowly and carefully.

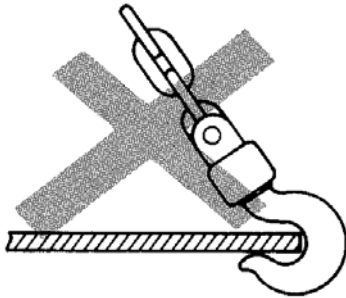


Figure 4 - Incorrect Attachment

5. When hooking, the load must be applied squarely to the center of the hook and the hook must not come loose during operation. NEVER USE THE HOOK DIRECTLY ON A LOAD (See Figure 4). Use the attachments as shown in Figure 5.

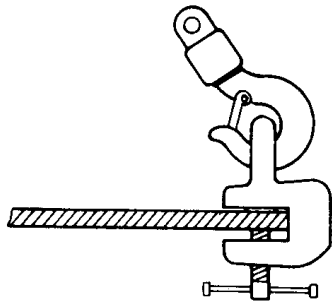


Figure 5 - Correct Attachment

Figures 6 through 9 show improper hooking methods, which may cause the hook to elongate or bend. These hooking methods may also obstruct the load chain flow to the load sheave and prevent the lever hoist from operating properly.

6. Never run the chain out too far. When the lever hoist is run out beyond the range of lift, a dangerous excessive load will be imposed on the load chain, stop grip and gearing.
7. The selector lever must be set to the "UP" position when the lever hoist is under a load during hoisting or pulling.

8. Lifting a load with two lever hoists is not recommended. If the job is unavoidable, keep the load well within the total rated capacity of the two lever hoists; lift with exceptional care while maintaining proper balance, angle and lifting speed.

### CAUTION

In applications similar to Figures 6 through 9, be sure to use the correct slings and attachments to ensure safe operation and long life of the lever hoist.

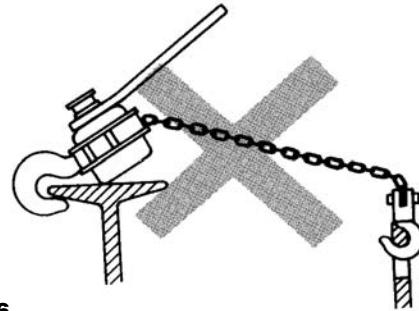


Figure 6

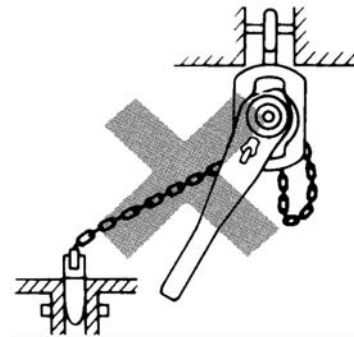


Figure 7

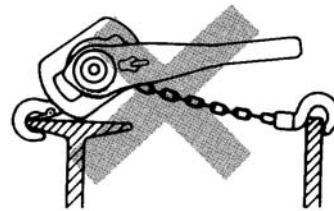


Figure 8



Figure 9



9. Do not throw or drop the lever hoist from high places; do not drag the lever hoist in transportation. Doing so may cause damage that may lead to an accident.
10. Never leave or store the lever hoist with the brake system locked. Loosen the brake system by operating the lever hoist as if lowering a load.
11. Always service and repair the lever hoist after use. Thoroughly clean the dust or if used in the rain, wipe off the dirt and moisture and lubricate the lever hoist to prevent rust.
12. Inspect the hooks and load chain for bends and any other types of defects. Also check to see if the hooks rotate. If any defect is found, replace the defective component before using the lever hoist again.

## OPERATION

### HOISTING (PULLING) AND LOWERING (RELEASING)

#### CAUTION

**Do not forget to lubricate the load chain, rotation section of the bottom hook and the chain guides.**

#### 1. Hoisting (Pulling)

Set the selector lever to the "UP" position. Take up the slacked load chain by turning the guide handle clockwise. Next, manipulate the operating handle clockwise.

#### 2. Lowering (Releasing)

Set the selector lever to the "DOWN" position. Manipulate the operating handle counterclockwise. When there is no load on the lever hoist, the load chain can be slacked by turning the guide handle counterclockwise.

### FREE-WHEELING

This operation is for making quick large adjustments of the load chain length.

Set the selector lever to the "N" position and pull the load chain out in the desired direction.

Free-chaining will not be possible during the following conditions:

1. When the lever hoist is under a load.
2. When the guide handle is in contact with something and not rotating freely.
3. When the brake has locked from a large or abrupt load: Turn the guide handle 45° counterclockwise to unlock the brake.
4. When the brake is locked:  
The brake can be unlocked by setting the selector lever to the "DOWN" position and manipulating the operating handle counterclockwise.

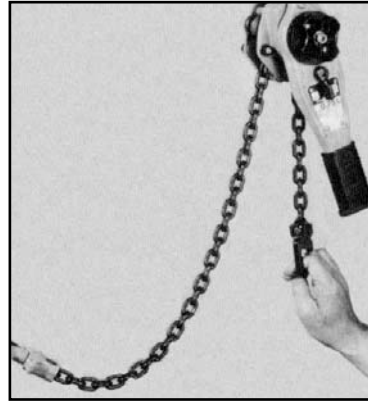
### RESETTING

The lever hoist will automatically change from the free-chaining condition to the brake locked condition when a load is applied.

Apply the load with one of the following two methods:

- a. Turn the guide handle clockwise till the brake locks from the force of the load.
- b. Pull firmly on the stop grip until the brake locks from the force of the load (See Photo 1).

Next, turn the selector lever to the "UP" position and hoist or pull by manipulating the operating handle.



**Photo 1 - Slack Chain Take-Up**

## MAINTENANCE

The lever hoist is designed and made to withstand heavy-duty materials handling operations, but wear and damage are unavoidable after a long period of use and depending on the place and method of use. This is why we suggest that your company or workshop adapt a periodical inspection program for the lever hoist.

1. Never leave the lever hoist in a damp environment or damp weather such as rain. Always store the lever hoist in a dry airy area.
2. Proper lubrication will help lengthen the life of the lever hoist. Before storing check to see if the lever hoist is well lubricated. Be especially sure that the moving parts such as gears and bearings are well lubricated.

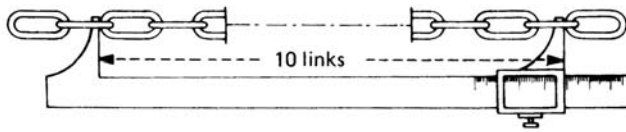
### LOAD CHAIN

Load chains worn-out or elongated beyond the permissible dimensions must be replaced at once. Replace the entire load chain immediately if even one link of the load chain is extensively worn-out, elongated or damaged.

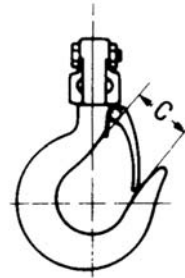
### HOOKS

If the hook opening is elongated beyond the permissible dimension, the hook is dangerously deformed and must be replaced at once. No deformation of the hook will arise when the lever hoist is used and maintained properly.





**Figure 10 - Chain Inspection**



**Figure 11 - Hook Inspection**

Capacity (tons)	Diameter (ømm)	Standard (in.)	Limit (in.)
.75	5.6	6.732	6.866
1.5	7.1	8.346	8.511
3 & 6	9	10.748	10.964

Capacity (tons)	Standard Size (in.)	"C" Dimension Limit (in.)
.75	1 <sup>3</sup> / <sub>16</sub>	1 <sup>5</sup> / <sub>16</sub>
1.5	1 <sup>17</sup> / <sub>32</sub>	1 <sup>11</sup> / <sub>16</sub>
3	1 <sup>21</sup> / <sub>32</sub>	1 <sup>13</sup> / <sub>16</sub>
6	2 <sup>3</sup> / <sub>64</sub>	2 <sup>1</sup> / <sub>4</sub>

**NOTE:** Limit \*C (in.) are the maximum permissible dimensions of the hooks, which are about 10% wider than the standard hook openings.

## TROUBLE SHOOTING

— Probable Cause —

— Remedy —

<b>Slip caused by ineffective braking.</b>	
<ol style="list-style-type: none"> <li>Worn-out friction discs.</li> <li>Excessive oil on the braking surface.</li> <li>Incorrect assembly of the brake system.</li> </ol>	<ol style="list-style-type: none"> <li>Replace with new friction discs.</li> <li>Disassemble and clean.</li> <li>Assemble correctly.</li> </ol>
<b>Load dropped while lowering.</b>	
<ol style="list-style-type: none"> <li>Damaged friction discs.</li> <li>Foreign matters in the braking system.</li> </ol>	<ol style="list-style-type: none"> <li>Replace with new ones.</li> <li>Disassemble and clean.</li> </ol>
<b>Jammed operating handle.</b>	
Over-tightening of the brake.	Operate the lever hoist as if lowering a load.
<b>Noises during hoisting and lowering operation.</b>	
Wear or deformation of the load chain and load sheave.	Replace with new parts.
<b>Operating handle becomes difficult to operate during lifting or lowering operation.</b>	
<ol style="list-style-type: none"> <li>Over-hoisting or over-lowering.</li> <li>Twist in the load chain causing it to get caught between load sheave and load chain guide.</li> </ol>	<ol style="list-style-type: none"> <li>Operate the hoist in opposite direction.</li> <li>Operate the hoist in opposite direction and remove the twist from the load chain.</li> </ol>





**INSPECTION AND MAINTENANCE CHECK LIST  
 LEVER OPERATED CHAIN HOIST**

Type of Hoist \_\_\_\_\_ Capacity (Tons) \_\_\_\_\_  
 Location \_\_\_\_\_ Original Installation Date \_\_\_\_\_  
 Manufacturer \_\_\_\_\_ Manufacturer's Serial No. \_\_\_\_\_

Item	Frequency of Inspection			Possible Deficiencies	OK	Action Required
	Frequent		Periodic			
	Daily	Monthly	1-12 Mo.			
Load Chain	*	*	*	Inadequate lubrication, excessive wear or stretch, cracked, damaged or twisted links, corrosion or foreign substance		
Hooks	*	*	*	Excessive throat opening, bent or twisted more than 10°, damaged hook latch, wear, chemical damage, cracks		
Hook Retainers	*	*	*	Worn or damaged nuts, pins, washers, collars used to secure hook in load block or housing		
Ratchet Handle Pawl & Load Pawl			*	Wear, cracks, broken teeth Wear, cracks or binding		
Pawl Springs			*	Breaks, corrosion, loss of tension		
Retaining Rings			*	Missing or loss of retention		
Pawl Stud			*	Excessive wear, pawl retention, looseness		
Sheave, Pinion Shaft, Chain Attachments			*	Distortion, cracks, excessive wear, damaged threads, build up of foreign substances		
Gearing			*	Inadequate lubrication, distortion, cracks, worn or broken teeth		
Bearings, Shafts			*	Inadequate lubrication, distortion, cracks, excessive wear		
Housing, Load Block, Outrigger, Hook Swivels			*	Cracks, distortion, loose bolts, nuts or rivets. Internal build up of foreign substances		
Nuts, Bolts, Rivets			*	Looseness, stripped or damaged threads		
Supporting Structure			*	Damage or wear which restricts ability to support imposed loads		
Capacity Plate & Decals			*	Missing, damaged or illegible		

**NOTE:** Refer to Maintenance and Inspection Sections of the Hoist-Maintenance Manual for further details.

**FREQUENCY OF INSPECTION**

Frequent — Indicates items requiring inspection daily to monthly. Daily inspections may be performed by the operator if properly designated.

Periodic — Indicates items requiring inspection monthly to yearly. Inspections to be performed by or under the direction of a properly designated person. The exact period of inspection will depend on frequency and type of usage. Determination of this period will be based on the user's experience. It is recommended that the user begin with a monthly inspection and extend the periods to quarterly, semi-annually or annually based on user's monthly experience.

**Figure 12A — Recommended Inspection and Maintenance Check List**

**NOTE:** This inspection and maintenance check list is in accordance with our interpretation of the requirements of the Safety Standard for Overhead Hoists ASME B30.16. It is, however, the ultimate responsibility of the employer/user to interpret and adhere to the applicable requirements of this safety standard.





INSPECTOR'S REPORT			
ITEM	REMARKS (LIST DEFICIENCIES AND RECOMMENDED ACTION)		
Inspector's Signature	Date Inspected	Approved by	Date

**Figure 12B — Recommended Inspector's Report**

RECOMMENDED LUBRICATION SCHEDULE* COFFING LEVER OPERATED CHAIN HOIST					
FIGURE NUMBERS	COMPONENT	TYPE OF LUBRICANT	TYPE OF SERVICE AND FREQUENCY OF LUBRICATION		
			HEAVY	NORMAL	INFREQUENT
See Figures 12-15	Load Chain	SAE 20-30 gear oil	Daily	Weekly	Monthly
See Figures 12-15	Load Pawl Shaft, Pinion Shaft, Gear & Bearings, Pinion & Gear Teeth	Multi-purpose Lithium base bearing grease	At periodic inspection (see Figure 10A)		
See Figures 12-15	Bottom Block Shaft, Bearing & Hook Swivel	SAE 20-30 gear oil	Monthly	Yearly	Yearly

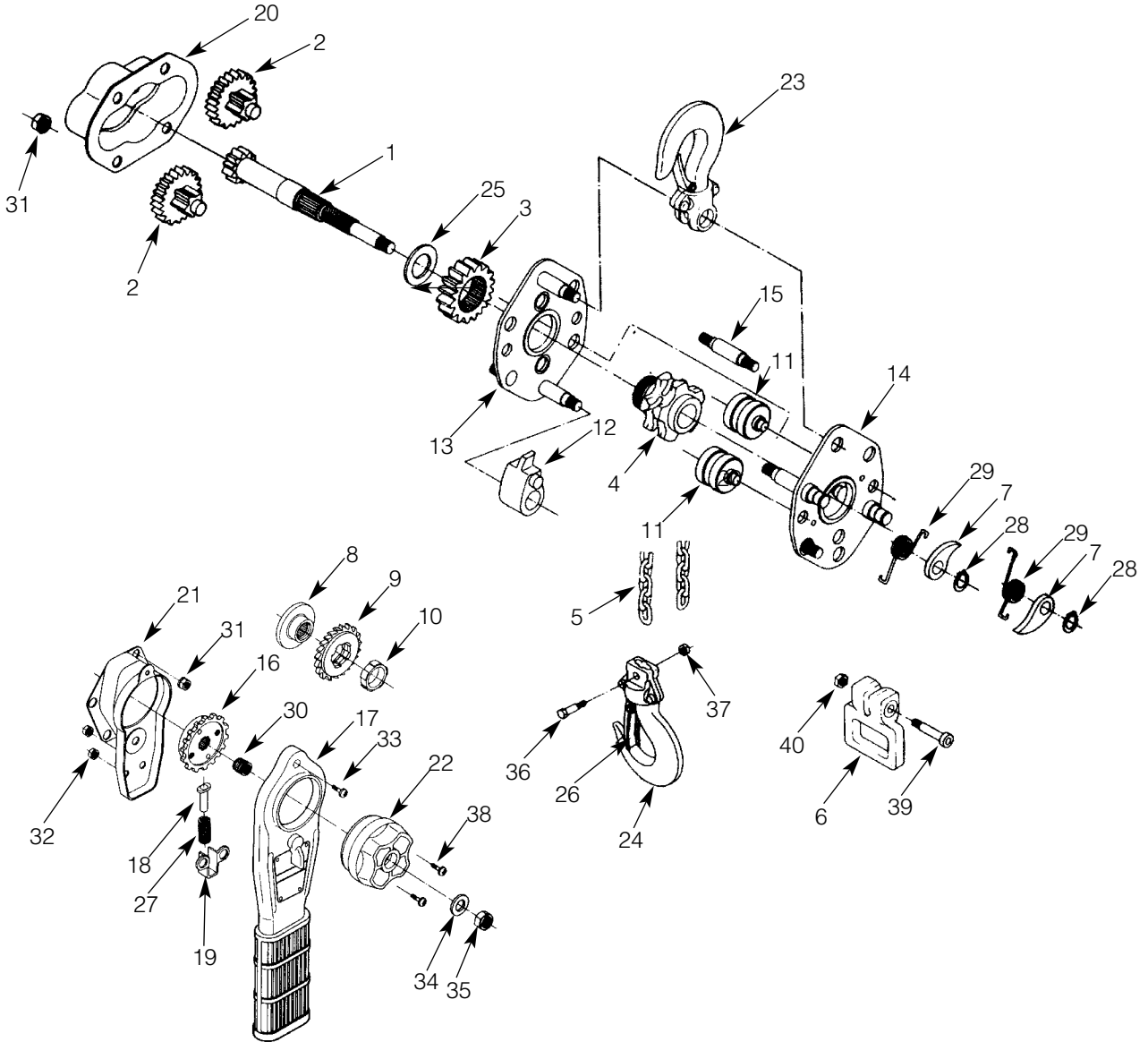
(\* ) This lubrication schedule is based on a hoist operating in normal environment conditions. Hoists operating in adverse atmospheres containing excessive heat, corrosive fumes or vapors, abrasive dust, etc., should be lubricated more frequently.

**CAUTION - DO NOT LUBRICATE BRAKE AREA OF HOIST.**

**Figure 13 — Recommended Lubrication Schedule**

Contact your nearest Coffing Hoists Service Center for parts and service. For a complete list, see pages 17 and 18. Please have the hoist model number, serial number, and part number with description available for reference.

### Figure 14 - 0.75 Ton Model



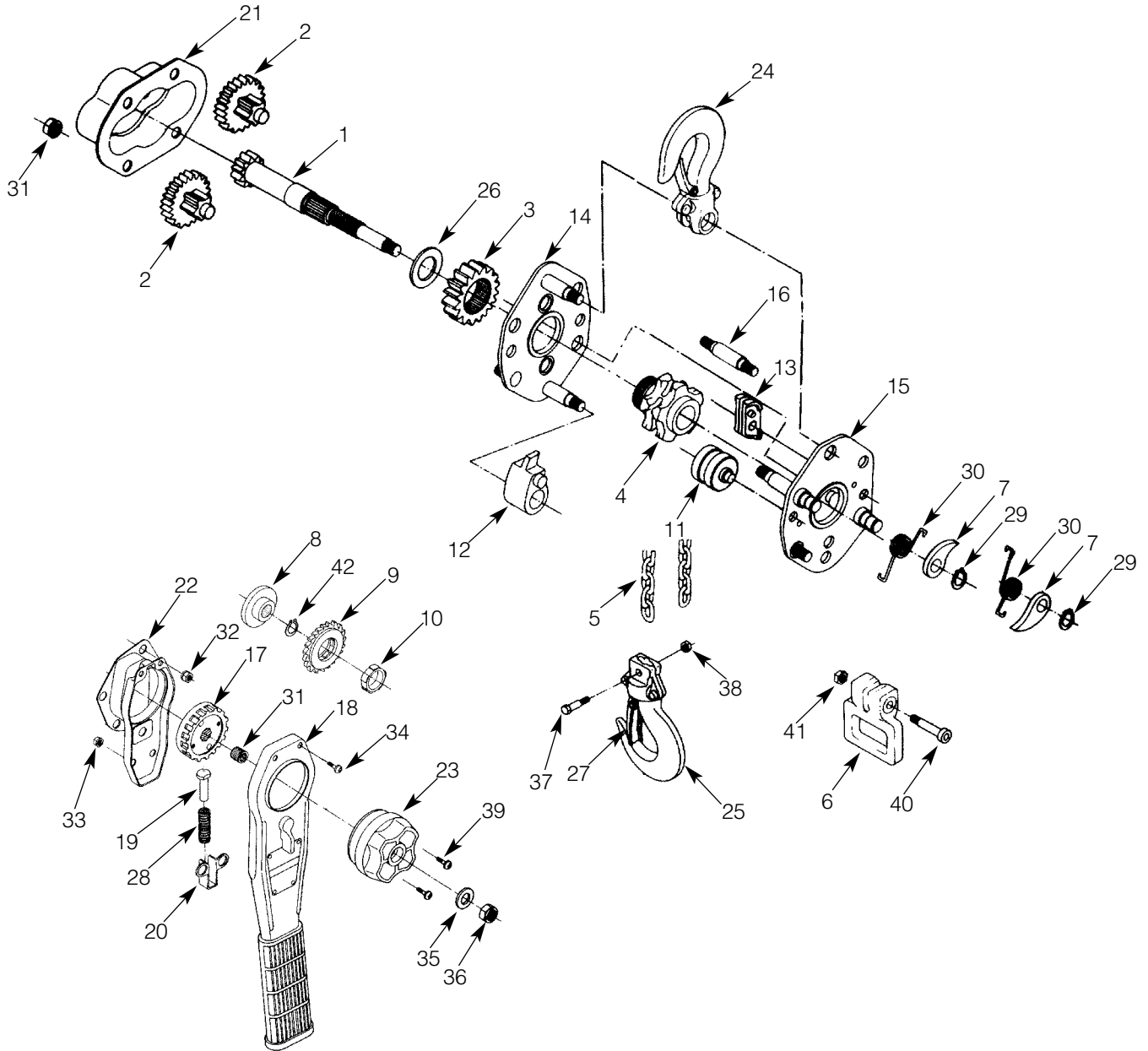
Contact your nearest Coffing Hoists Service Center for parts and service. For a complete list, see pages 17 and 18. Please have the hoist model number, serial number, and part number with description available for reference.

**Parts List for 0.75 Ton Model**

Ref. No.	Description	Part No.	Qty
1	Pinion Shaft	IRB4001	1
2	Pinion with Pinion Gear	IRB4002T	2
3	Load Gear	IRB4004	1
4	Load Sheave	IRB4005	1
5	Load Chain	T56	1
6	Stop Grip	IRB40062	1
7	Pawl	IRB4007	2
8	Disc Hub	IRB4008	1
9	Ratchet Wheel	IRB4009	1 set
10	Interlocking Ring	IRB4011	1
11	Chain Guide	IRB4012A	2
12	Stripper	IRB4015A	1
13	Gear Side Plate	IRB4018A	1
14	Handle Side Plate	IRB4020A	1
15	Stay Bolt (D)	IRB4021	1
16	Disc Nut	IRB4023	1
17	Operating Handle	IRB4024	1
18	Spring Shaft	IRB4030	1
19	Shaft Base	IRB4031	1
20	Gear Cover	IRB4037	1
21	Ratchet Cover	IRB4040T	1
22	Guide Handle	IRB4042	1
23	Top Hook Assembly	IRB4048U	1
24	Bottom Hook Assembly	IRB4053U	1
25	Pinion Shaft Washer	IRB4059	1
26	Safety Latch Assembly	JHH5074T	2
27	Change-over Spring	IRB4101	1
28	Snap Ring	SRC51010	2
29	Pawl Spring	IRB4104	2
30	Free-Wheeling Spring	IRB4106	1
31	Spring Nut	HSNM8	8
32	Spring Nut	HSNM6	2
33	Screw & Spring Washer	CMSM6 x 10S2	1
34	Flat Washer	IRB4136	1
35	Lock Nut	HNNM8	1
36	Chain Fastening Bolt	IRB4124	1
37	Lock Nut	HUN1M6	1
38	Screw & Spring Washer	CMSM6 x 25S2	2
39	Socket Bolt	CBM6 x 35	1
40	Lock Nut	HNNM6	1

Contact your nearest Coffing Hoists Service Center for parts and service. For a complete list, see pages 17 and 18. Please have the hoist model number, serial number, and part number with description available for reference.

### Figure 15 - 1.5 Ton Model



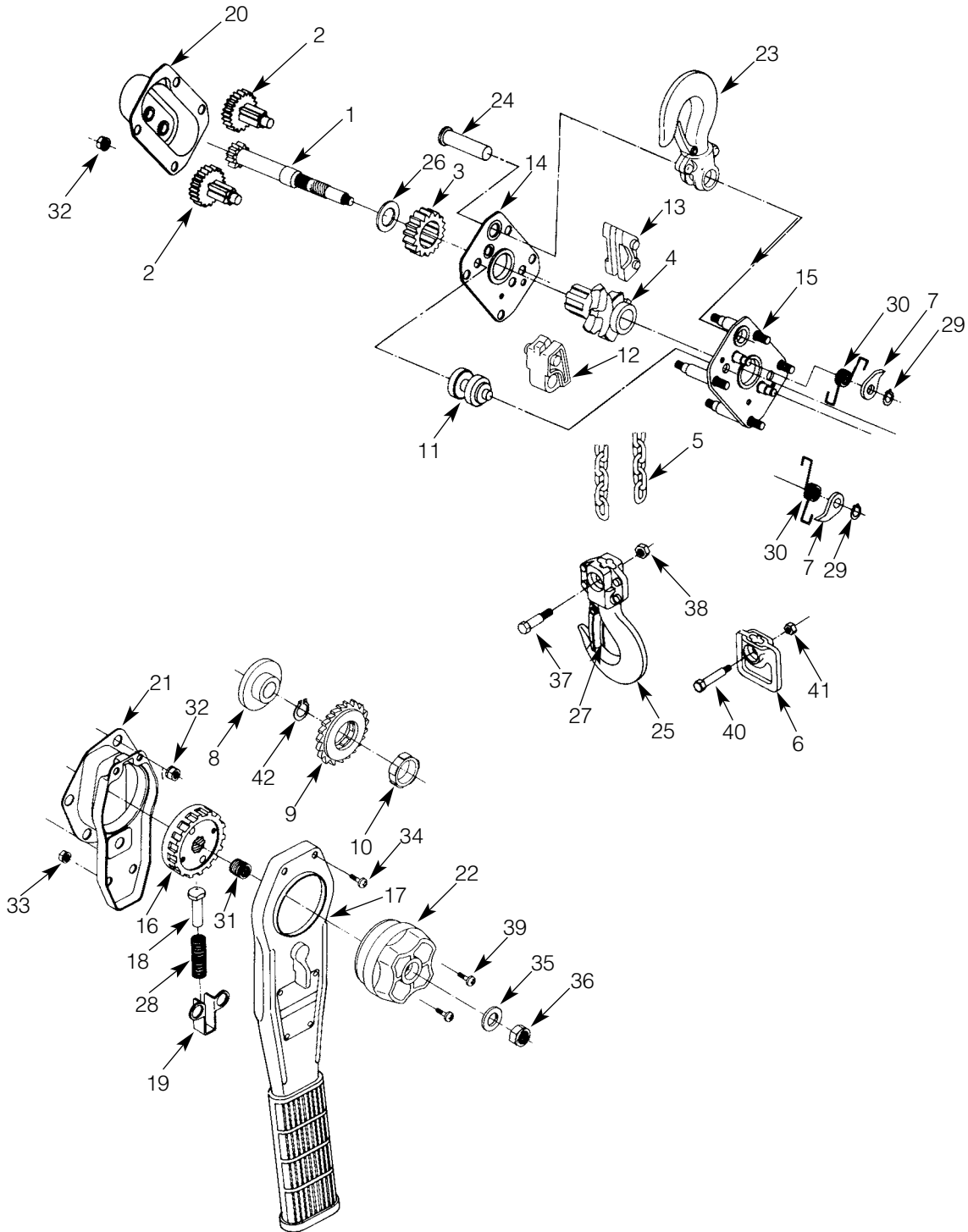
Contact your nearest Coffing Hoists Service Center for parts and service. For a complete list, see pages 17 and 18. Please have the hoist model number, serial number, and part number with description available for reference.

**Parts List for 1.5 Ton Model**

Ref. No.	Description	Part No.	Qty
1	Pinion Shaft	KRB4001	1
2	Pinion with Pinion Gear	KRB4002T	2
3	Load Gear	KRB4004	1
4	Load Sheave	KRB4005	1
5	Load Chain	V71	1
6	Stop Grip	KRB40062	1
7	Pawl	IRB4007	2
8	Disc Hub	KRB4008	1
9	Ratchet Wheel	KRB4009	1 set
10	Interlocking Ring	KRB4011	1
11	Chain Guide	KRB4012A	1
12	Stripper	KRB4015A	1
13	Chain Guide	KRB4017	1
14	Gear Side Plate	KRB4018A	1
15	Handle Side Plate	KRB4020A	1
16	Stay Bolt (D)	KRB4021	1
17	Disc Nut	KRB4023	1
18	Operating Handle	NRB4024	1
19	Spring Shaft	IRB3030	1
20	Shaft Base	IRB3031	1
21	Gear Cover	KRB4037	1
22	Ratchet Cover	KRB4040T	1
23	Guide Handle	IRB4042	1
24	Top Hook Assembly	KRB4048U	1
25	Bottom Hook Assembly	KRB4053U	1
26	Pinion Shaft Washer	IRB4059	1
27	Safety Latch Assembly	KHH5074T	2
28	Change Over Spring	IRB3116	1
29	Snap Ring	SRC51010	2
30	Pawl Spring	KRB4104	2
31	Free Wheeling Spring	KRB4106	1
32	Spring Nut	HSNM8	8
33	Spring Nut	HSNM8	2
34	Screw & Spring Washer	CMSM6 x 10S2	2
35	Flat Washer	IRB4136	1
36	Lock Nut	HNNM8	1
37	Chain Fastening Bolt	KHH5048	1
38	Lock Nut	HUN1M8	1
39	Screw & Spring Washer	CMSM6 x 25S2	2
40	Socket Bolt	CBM8 x 50	1
41	Lock Nut	HNNM8	1
42	Snap Ring	SRC51014	1

Contact your nearest Coffing Hoists Service Center for parts and service. For a complete list, see pages 17 and 18. Please have the hoist model number, serial number, and part number with description available for reference.

### Figure 16 - 3 Ton Model



Contact your nearest Coffing Hoists Service Center for parts and service. For a complete list, see pages 17 and 18. Please have the hoist model number, serial number, and part number with description available for reference.

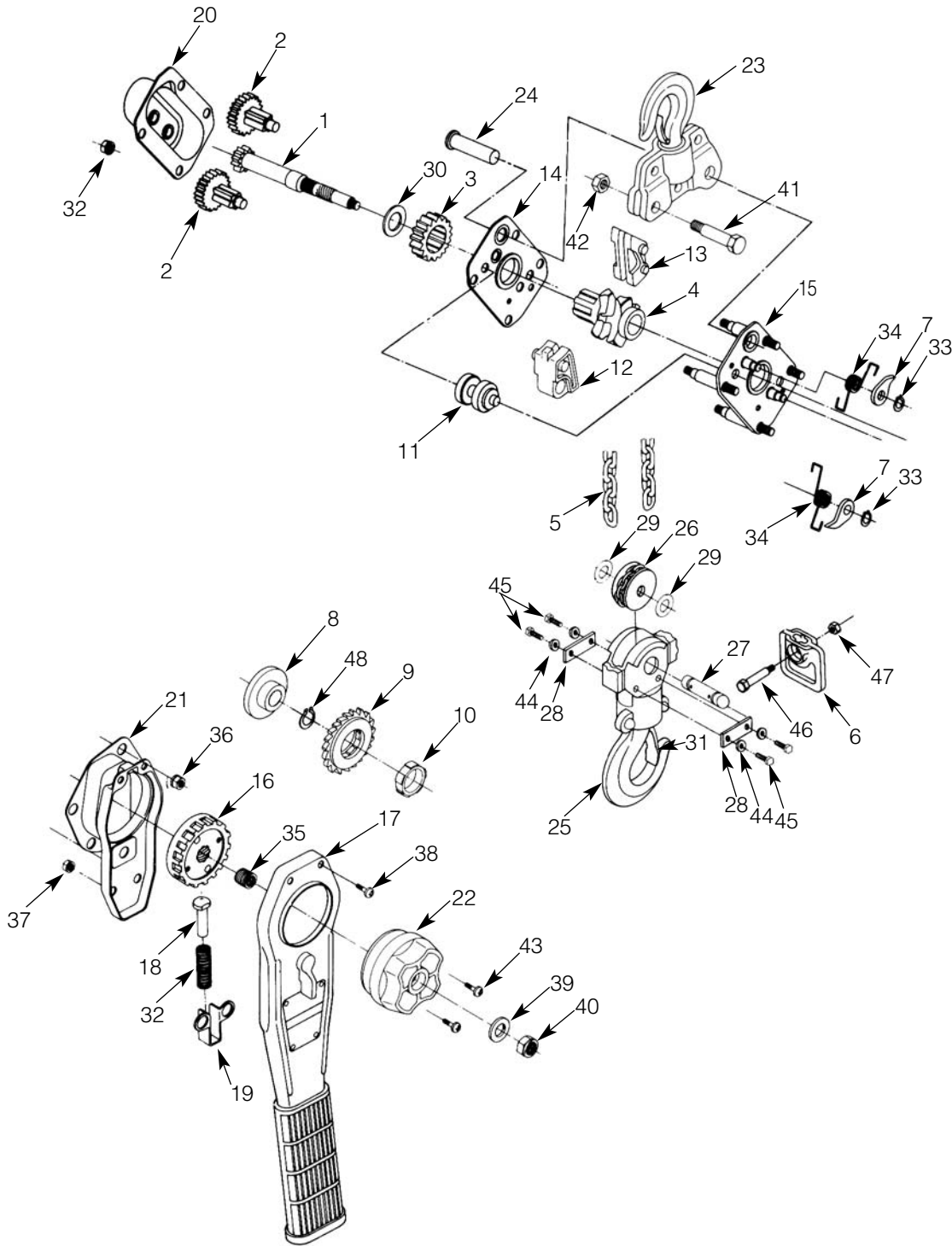
### Parts List for 3 Ton Model

Ref. No.	Description	Part No.	Qty
1	Pinion Shaft	NRB4001	1
2	Pinion with Pinion Gear	NRB4002T	2
3	Load Gear	NRB4004	1
4	Load Sheave	NRB4005	1
5	Load Chain	V9	1
6	Stop Grip	NRB40062	1
7	Pawl	NRB4007	2
8	Disc Hub	KRB4008	1
9	Ratchet Wheel	KRB4009	1 set
10	Interlocking Ring	KRB4011	1
11	Chain Guide	NRB4012	1
12	Stripper	NRB4015	1
13	Chain Guide	NRB4017	1
14	Gear Side Plate	NRB4018	1
15	Handle Side Plate	NRB4020	1
16	Disc Nut	KRB4023	1
17	Operating Handle	NRB4024	1
18	Spring Shaft	IRB3030	1
19	Shaft Base	IRB3031	1
20	Gear Cover	NRB4037	1
21	Ratchet Cover	NRB4040T	1
22	Guide Handle	IRB4042	1
23	Top Hook Assembly	NRB4048U	1
24	Yoke Pin	NRB4051	1
25	Bottom Hook Assembly	NRB4053U	1
26	Pinion Shaft Washer	NRB4059	1
27	Safety Latch Assembly	KHH5074T	2
28	Change Over Spring	IRB3116	1
29	Snap Ring	SRC51012	2
30	Pawl Spring	KHH5010	2
31	Free Wheeling Spring	NRB4106	1
32	Spring Nut	HSNM10	8
33	Spring Nut	HSNM8	2
34	Screw & Spring Washer	CMSM6 x 10S2	2
35	Flat Washer	IRB4136	1
36	Lock Nut	HNNM8	1
37	Chain Fastening Bolt	NRB4124	1
38	Lock Nut	HUN1M10	1
39	Screw & Spring Washer	CMSM6 x 25S2	2
40	Socket Bolt	LHH5048	1
41	Lock Nut	HNNM8	1
42	Snap Ring	SRC51014	1



Contact your nearest Coffing Hoists Service Center for parts and service. For a complete list, see pages 17 and 18. Please have the hoist model number, serial number, and part number with description available for reference.

### Figure 17 - 6 Ton Model



Contact your nearest Coffing Hoists Service Center for parts and service. For a complete list, see pages 17 and 18. Please have the hoist model number, serial number, and part number with description available for reference.

### Parts List for 6 Ton Model

Ref. No.	Description	Part No.	Qty
1	Pinion Shaft	NRB4001	1
2	Pinion with Pinion Gear	NRB4002T	2
3	Load Gear	NRB4004	1
4	Load Sheave	NRB4005	1
5	Load Chain	V9	1
6	Stop Grip	NRB40062	1
7	Pawl	NRB4007	2
8	Disc Hub	KRB4008	1
9	Ratchet Wheel	KRB4009	1 set
10	Interlocking Ring	KRB4011	1
11	Chain Guide	NRB4012	1
12	Stripper	NRB4015	1
13	Chain Guide	NRB4017	1
14	Gear Side Plate	NRB4018	1
15	Handle Side Plate	NRB4020	1
16	Disc Nut	KRB4023	1
17	Operating Handle	NRB4024	1
18	Spring Shaft	IRB3030	1
19	Shaft Base	IRB3031	1
20	Gear Cover	NRB4037	1
21	Ratchet Cover	NRB4040T	1
22	Guide Handle	IRB4042	1
23	Top Hook Assembly	QRB4048U	1
24	Yoke Pin	NRB4051	1
25	Bottom Hook Assembly	QRB4053U	1
26	Chain Wheel	QRB4055	1
27	Wheel Pin	QRB3056	1
28	Key Plate	QRB3079	2
29	Wheel Washer	HH4100083	2
30	Pinion Shaft Washer	NRB4059	1
31	Safety Latch Assembly	HH4060074T	2
32	Change Over Spring	IRB3116	1
33	Snap Ring	SRC51012	2
34	Pawl Spring	KHH5010	2
35	Free Wheeling Spring	NRB4106	1
36	Spring Nut	HSNM10	8
37	Spring Nut	HSNM8	2
38	Screw & Spring Washer	CMSM6 x 10S2	2
39	Flat Washer	IRB4136	1
40	Lock Nut	HNNM8	1
41	Chain Fastening Bolt	QRB4124	1
42	Lock Nut	HNNM10	1
43	Screw & Spring Washer	CMSM6 x 25S2	2
44	Spring Washer for 141	SWM8	4
45	Hexagon Bolt	HBM8 x 16B	4
46	Socket Bolt	LHH5048	1
47	Lock Nut	HNNM8	1
48	Snap Ring	SRC51014	1

**High Performance Lifting™**

# COFFING® HOISTS



## WARRANTY

Every hoist is thoroughly inspected and performance tested prior to shipment from the factory. If any properly installed, maintained and operated hoist as outlined in the applicable accompanying Coffing Hoists manual develops a performance problem due to defective materials or workmanship as verified by Coffing Hoists, repair or replacement of the hoist will be made to the original purchaser without charge and the hoist will be returned, transportation prepaid. This warranty does not apply where deterioration is caused by normal wear, abuse, improper or inadequate power supply,

improper or inadequate maintenance, eccentric or side loading, overloading, chemical or abrasive actions, excessive heat, unauthorized modifications or repairs, or use of non-Coffing repair parts. **EXCEPT AS STATED HEREIN, COFFING HOISTS MAKES NO OTHER WARRANTIES, EXPRESS OR IMPLIED, INCLUDING WARRANTIES OF MERCHANTABILITY AND FITNESS FOR A PARTICULAR PURPOSE.**

### **⚠ WARNING**

Overloading and Improper Use Can Result In Injury

**TO AVOID INJURY:**

- Do not exceed working load limit, load rating, or capacity.
- Do not use equipment to lift people or loads over people.
- Use only alloy chain and attachments for overhead lifting.
- Read and follow all instructions.

**Coffing Hoists** • Country Club Road • P.O. Box 779 • Wadesboro, North Carolina 28170 USA

**Tel:** 800.477.5003 • **Fax:** 800.374.6853 • 704.694.6829

[www.coffinghoists.com](http://www.coffinghoists.com)

LSB-A

©2003 Coffing Hoists